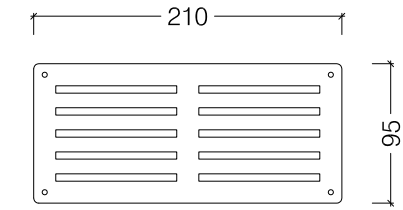
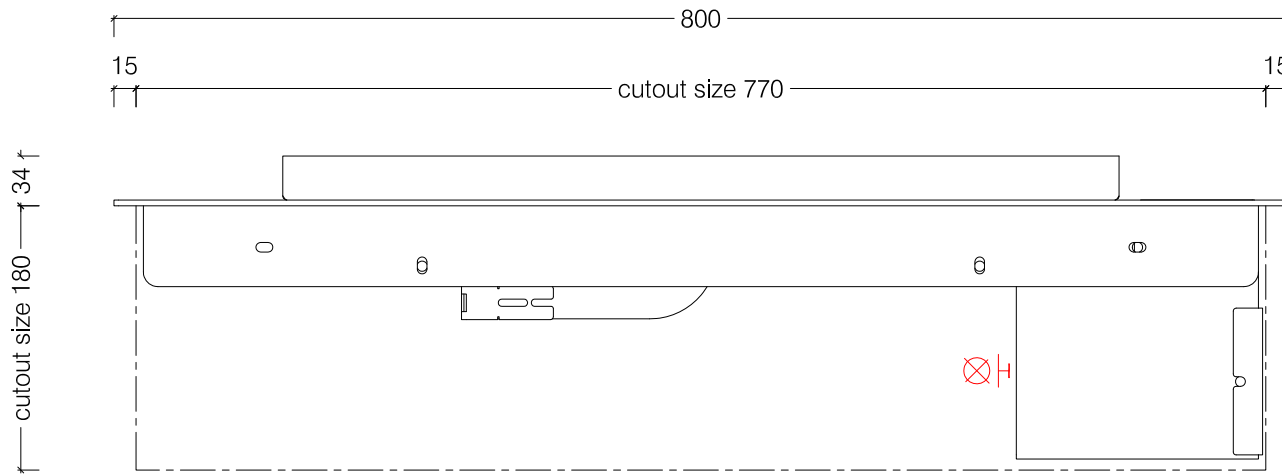


Top View

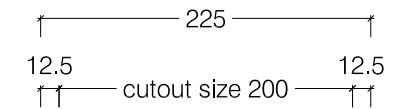


Vent Plate

NOTE: this fireplace requires oxygen from inside the room to function. Please ensure that you make adequate provision in your installation for this. We provide a vent plate with each fireplace.



Front View

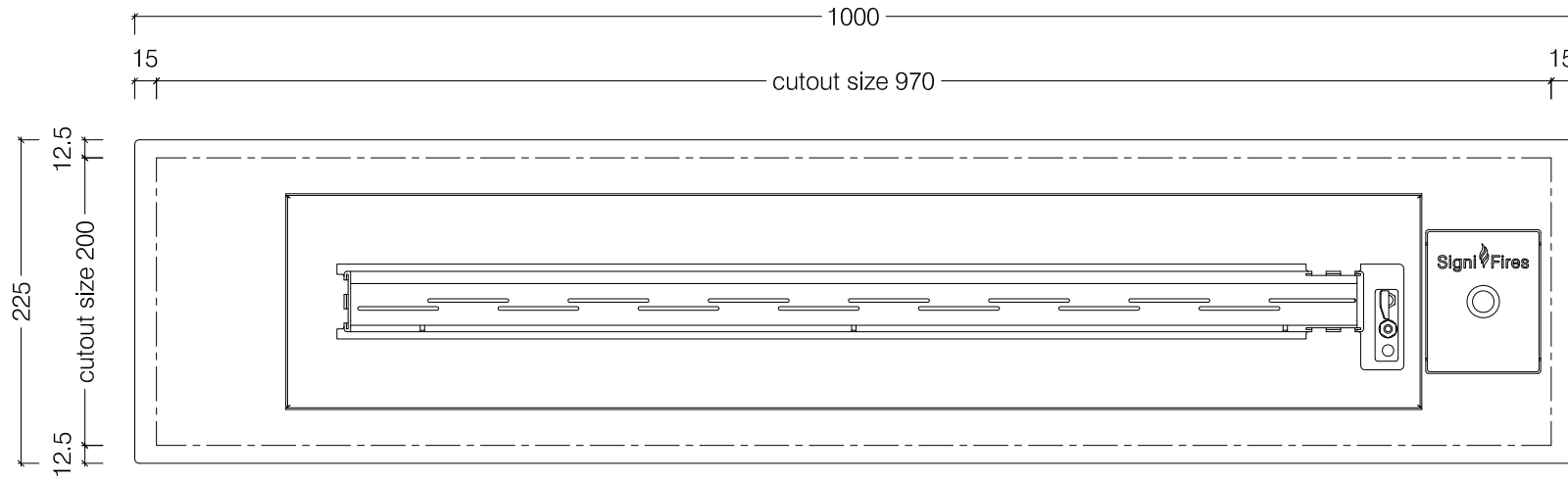


Side View

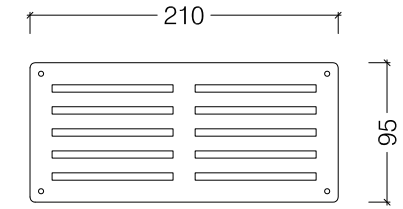


Gas supply line by specialist to right hand side of unit

800 Drop In Gas Heater With Pebble Frame

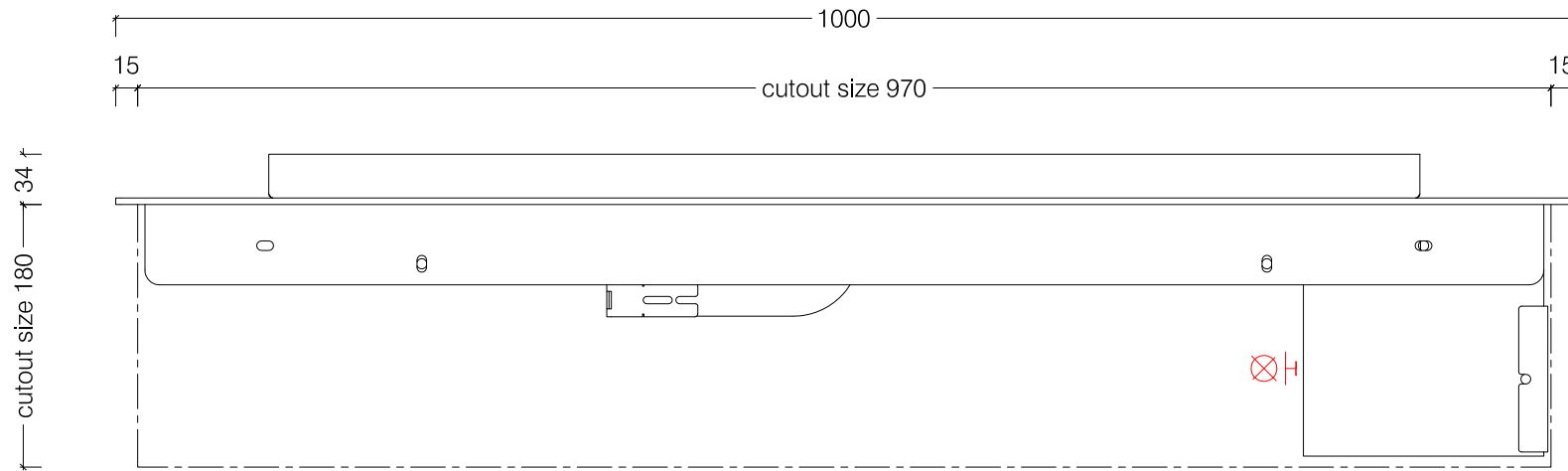


Top View

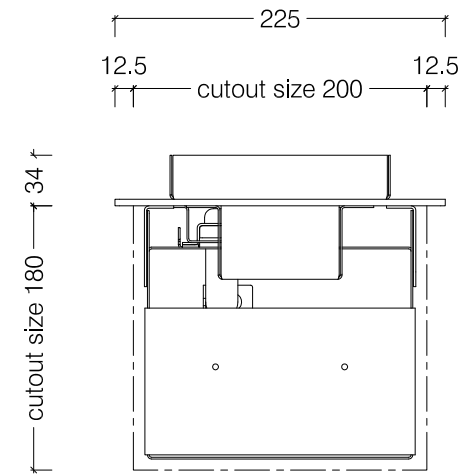


Vent Plate


NOTE: this fireplace requires oxygen from inside the room to function. Please ensure that you make adequate provision in your installation for this. We provide a vent plate with each fireplace.



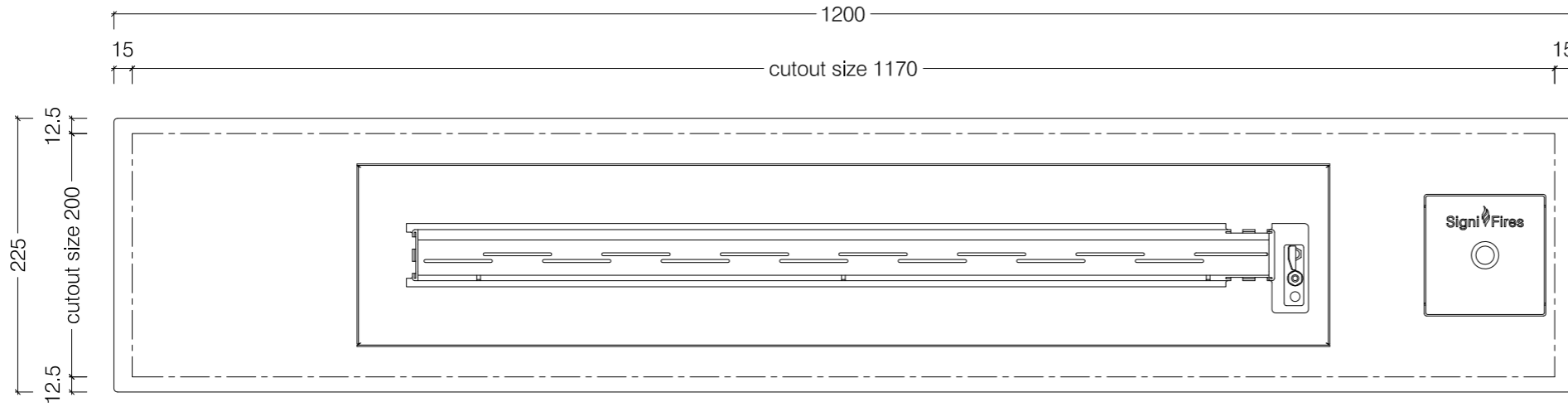
Front View



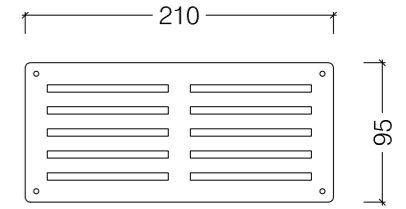
Side View

 Gas supply line by specialist to right hand side of unit

1000 Drop In Gas Heater With Pebble Frame

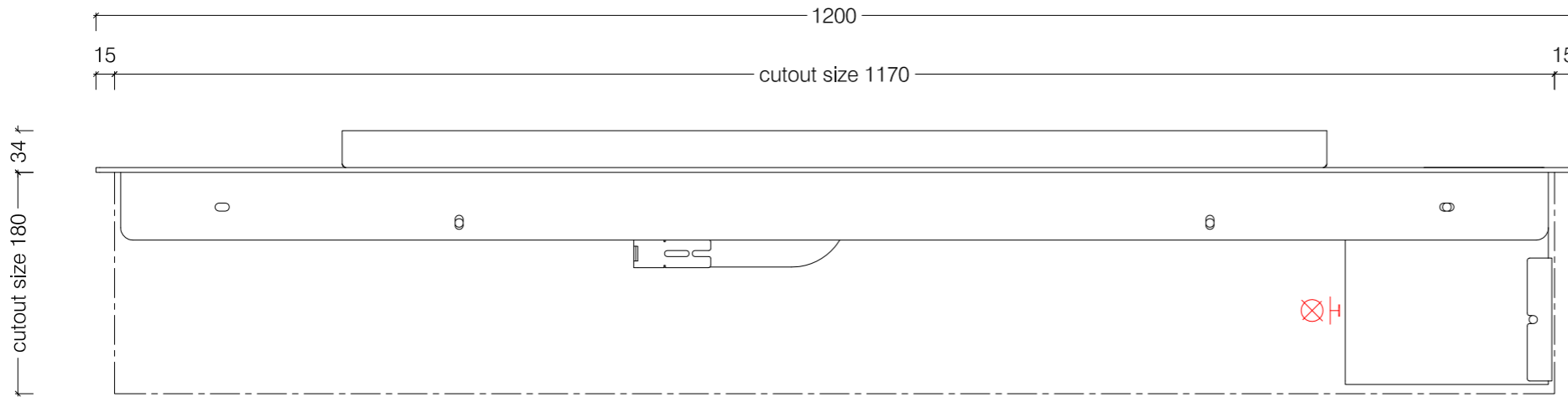


Top View

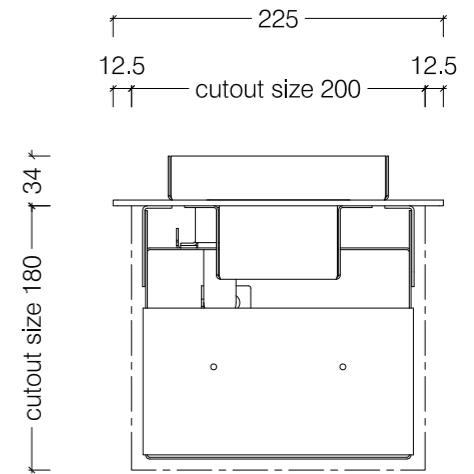


Vent Plate


NOTE: this fireplace requires oxygen from inside the room to function. Please ensure that you make adequate provision in your installation for this. We provide a vent plate with each fireplace.



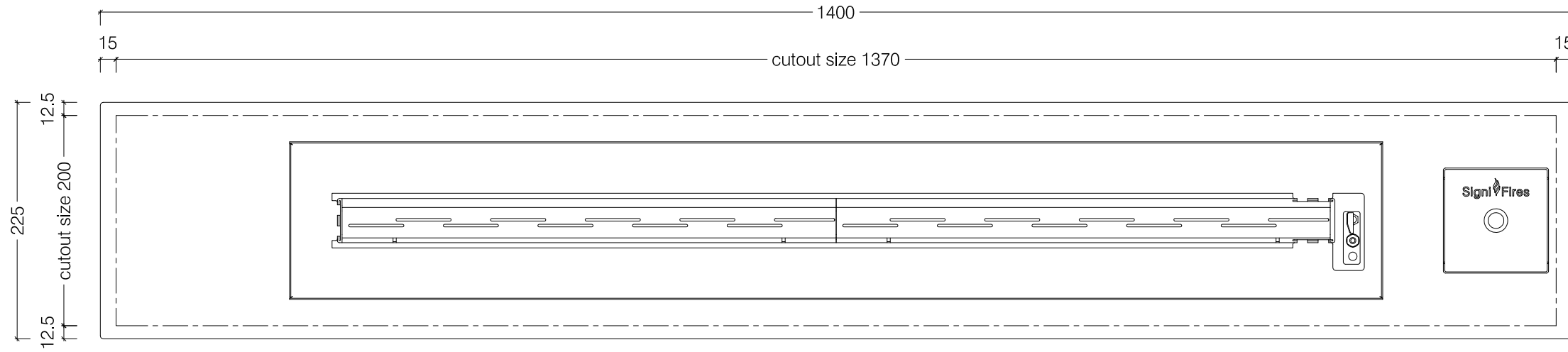
Front View



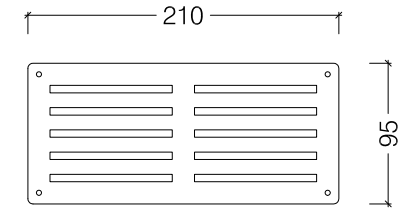
Side View

 Gas supply line by specialist to right hand side of unit

1200 Drop In Gas Heater With Pebble Frame

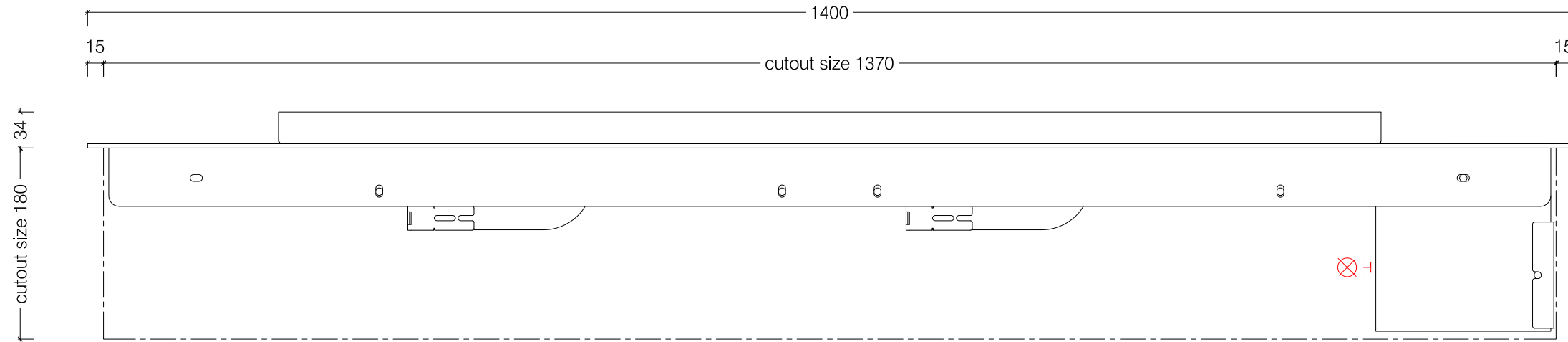


Top View

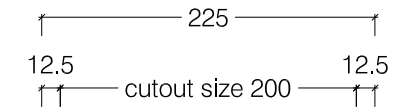


Vent Plate

NOTE: this fireplace requires oxygen from inside the room to function. Please ensure that you make adequate provision in your installation for this. We provide a vent plate with each fireplace.



Front View

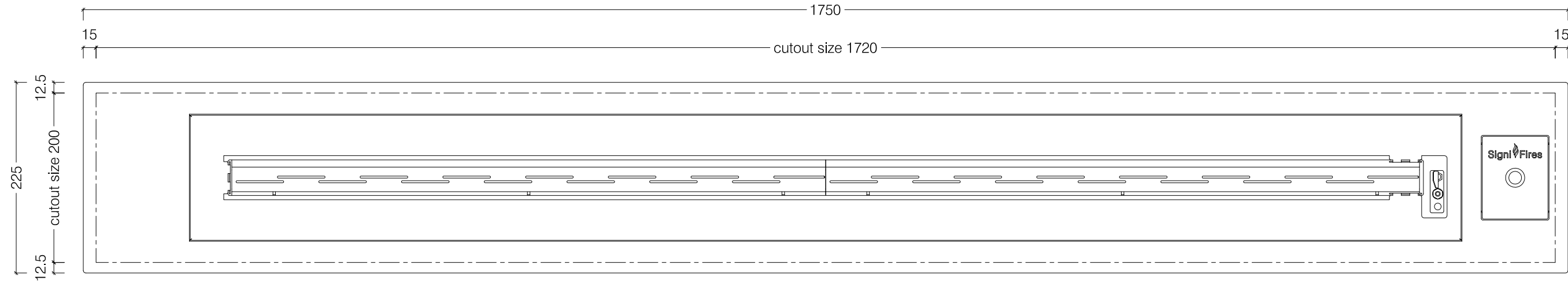


Side View

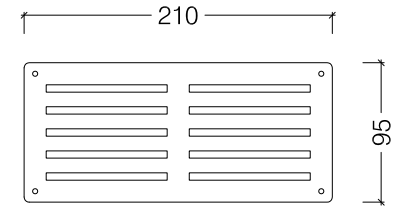


Gas supply line by specialist to right hand side of unit

1400 Drop In Gas Heater With Pebble Frame

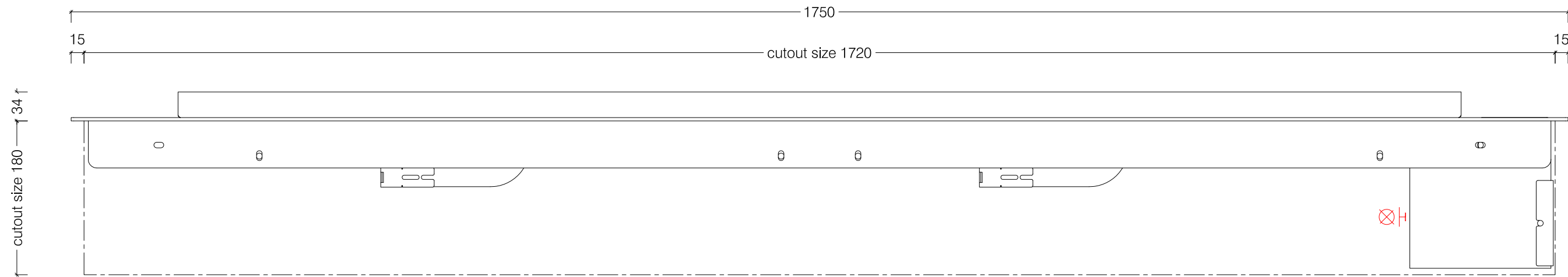


Top View

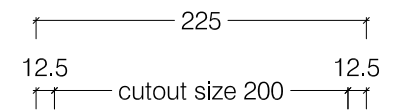


Vent Plate

NOTE: this fireplace requires oxygen from inside the room to function. Please ensure that you make adequate provision in your installation for this. We provide a vent plate with each fireplace.



Front View

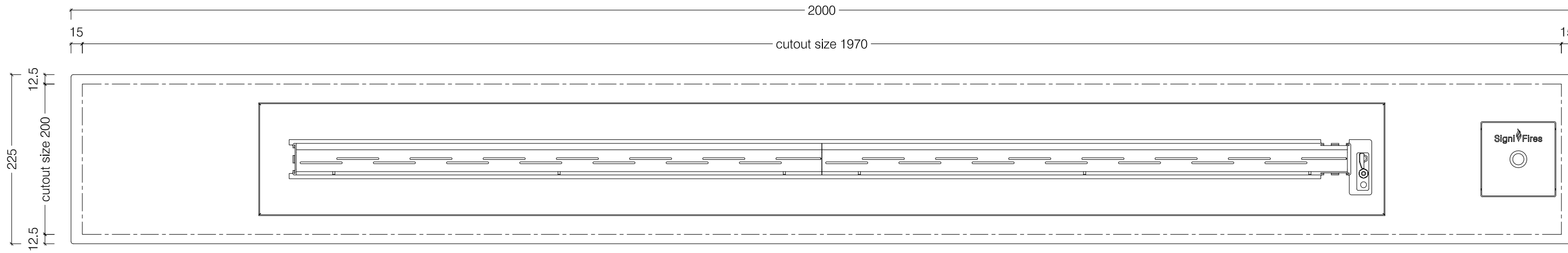


Side View

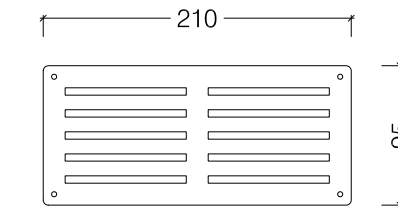


Gas supply line by specialist to right hand side of unit

1750 Drop In Gas Heater With Pebble Frame

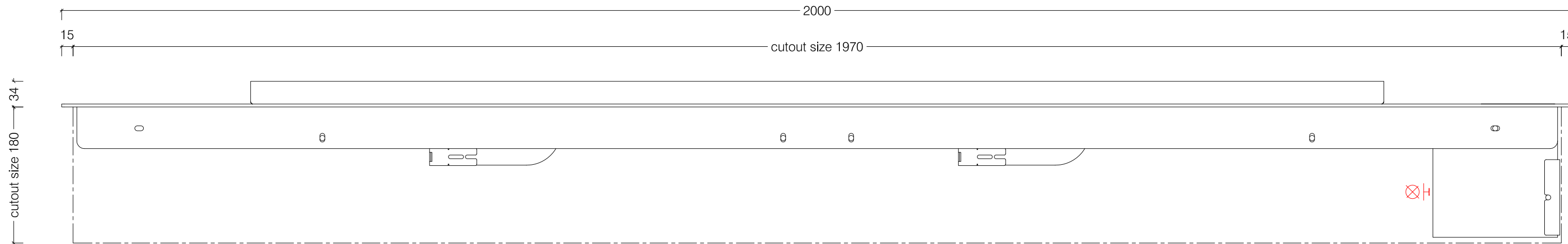


Top View

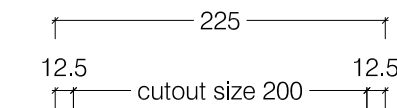


Vent Plate


NOTE: this fireplace requires oxygen from inside the room to function. Please ensure that you make adequate provision in your installation for this. We provide a vent plate with each fireplace.



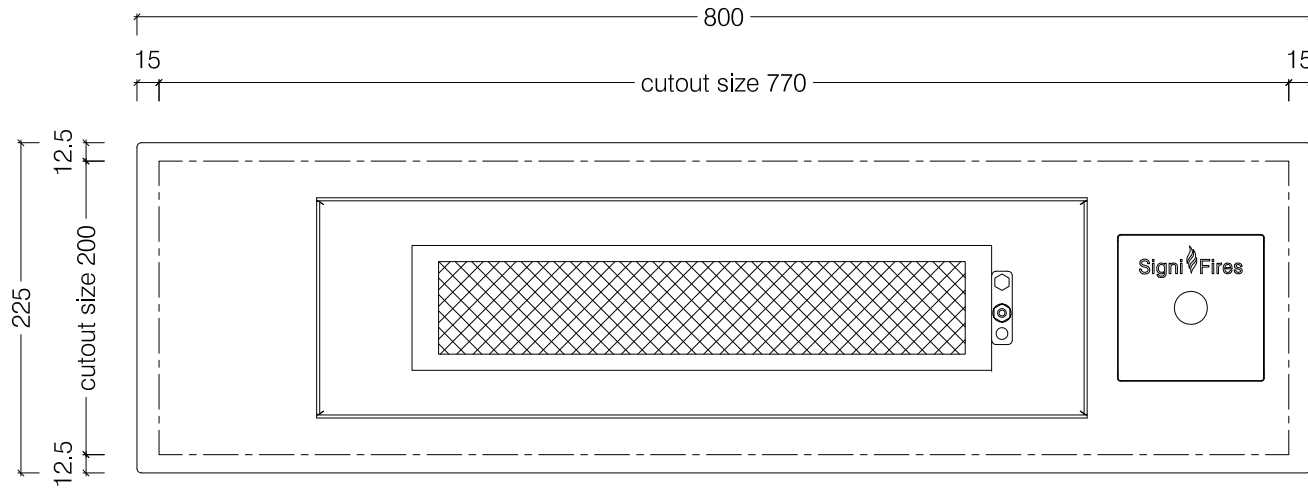
Front View



Side View

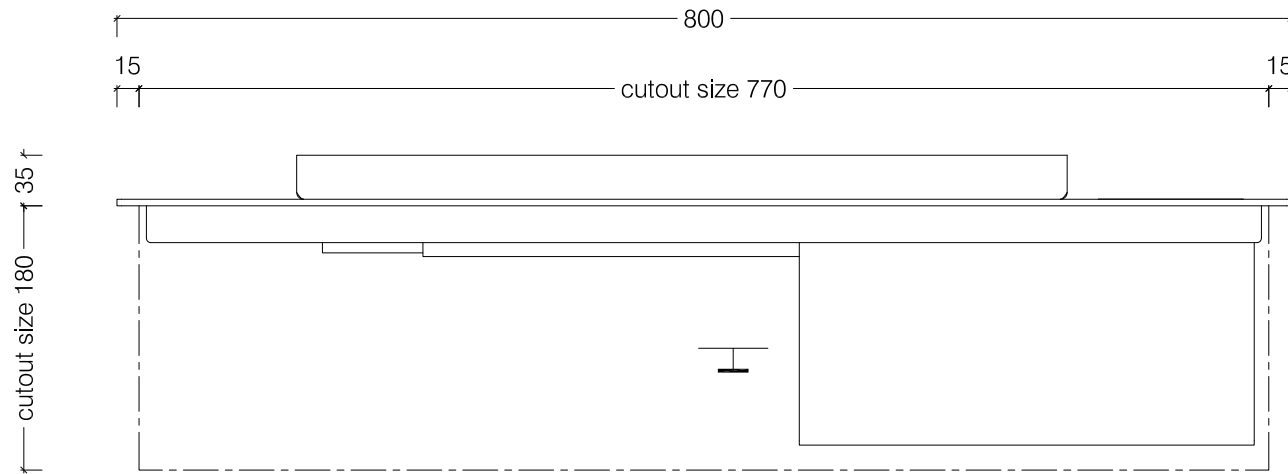
 Gas supply line by specialist to right hand side of unit

2000 Drop In Gas Heater With Pebble Frame

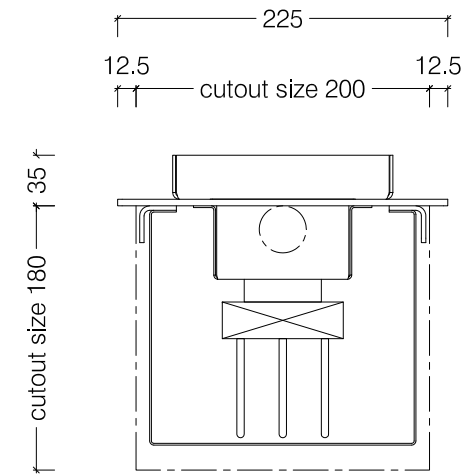


Top View

Gas supply line by specialist
to right hand side of unit

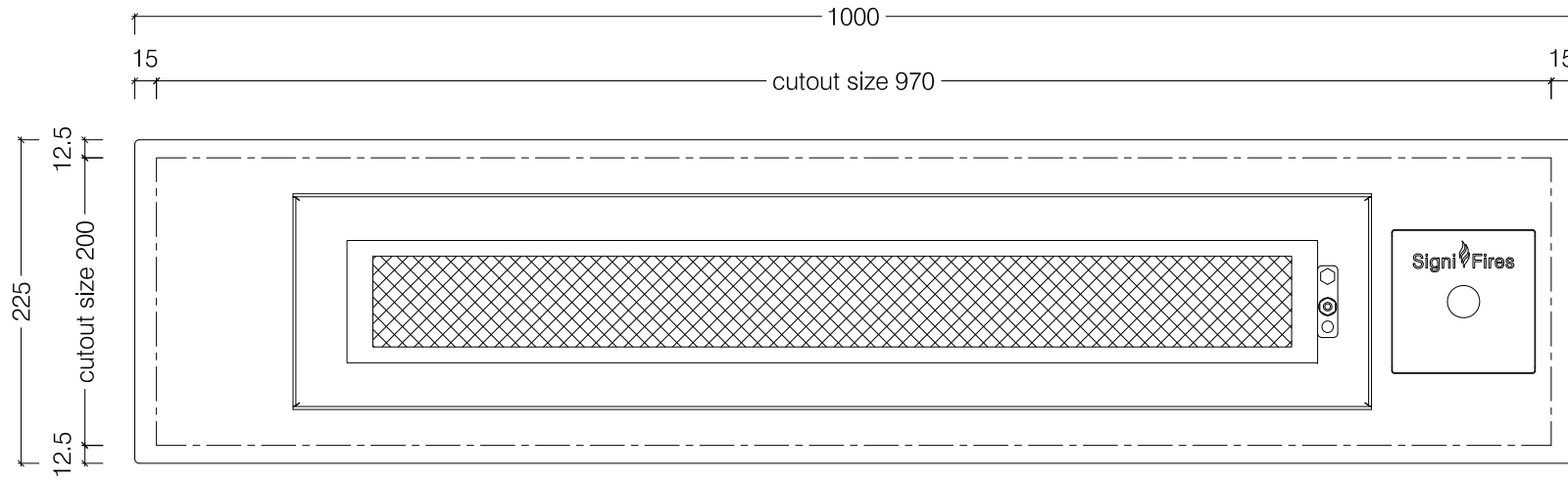


Front View



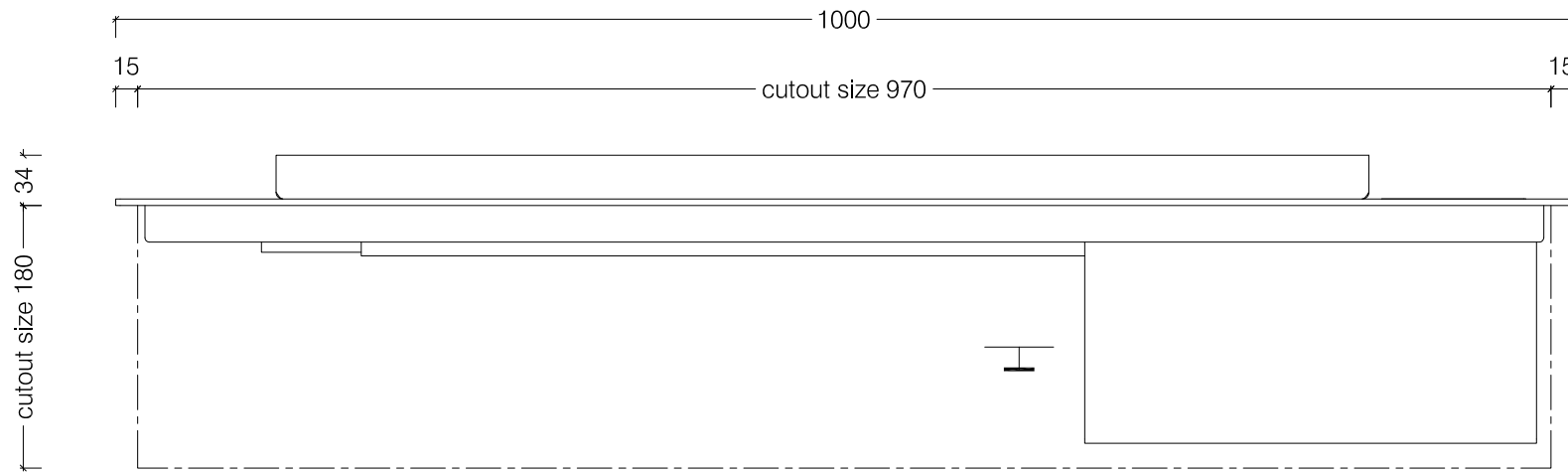
Side View

800 Drop In Gas Heater With Pebble Frame

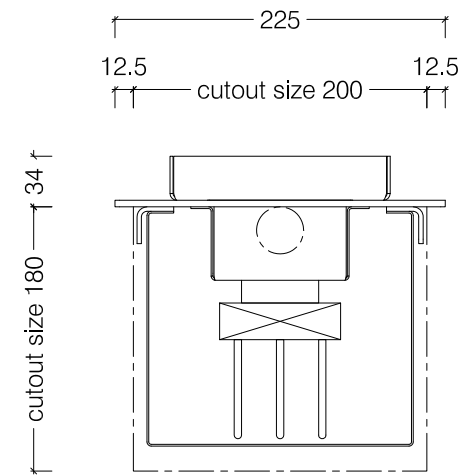


Top View

Gas supply line by specialist
to right hand side of unit

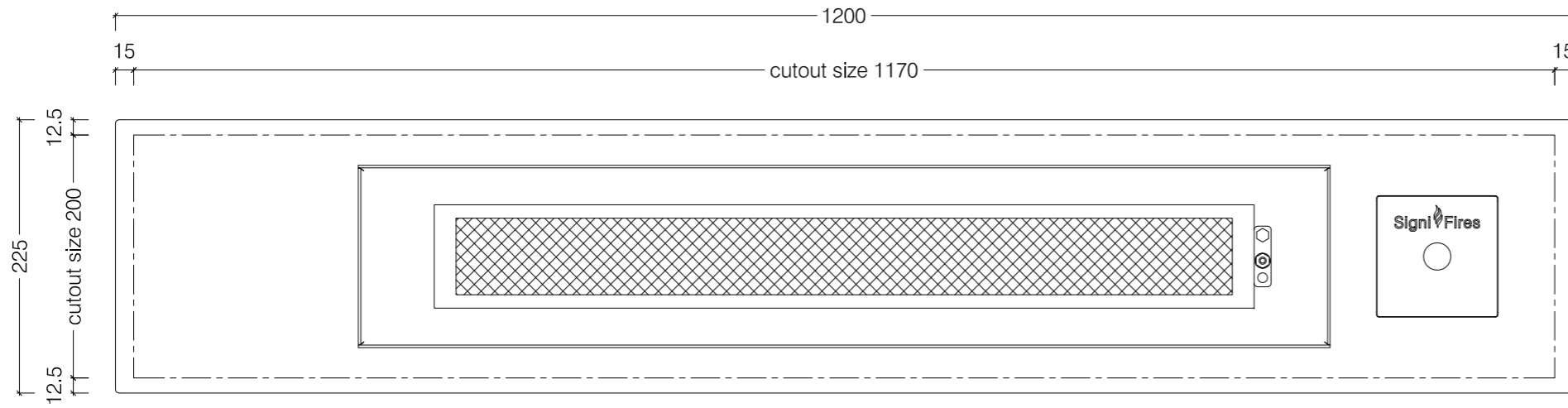


Front View



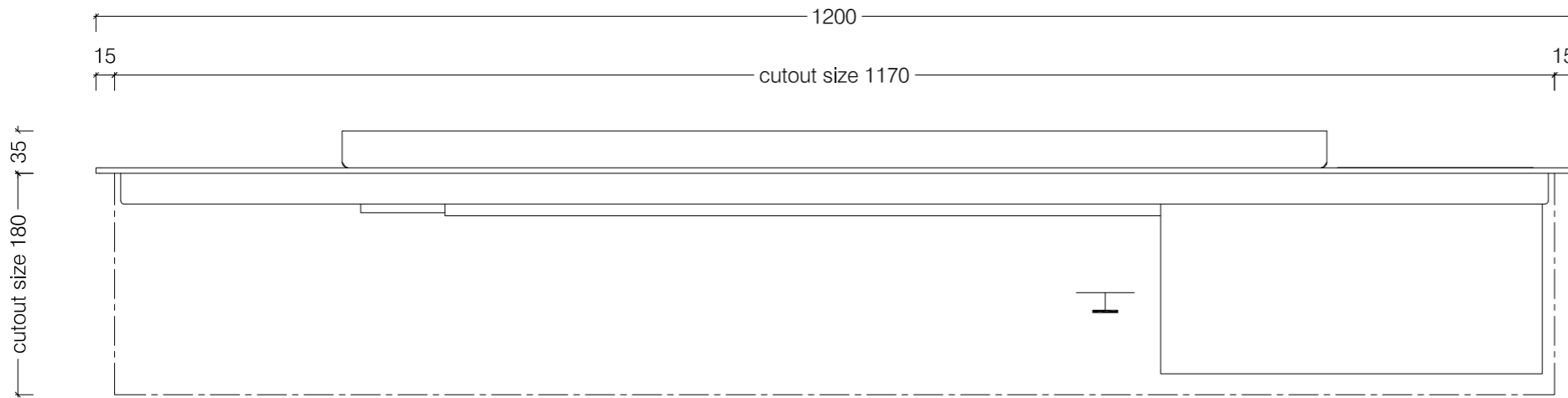
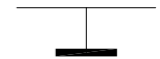
Side View

1000 Drop In Gas Heater With Pebble Frame

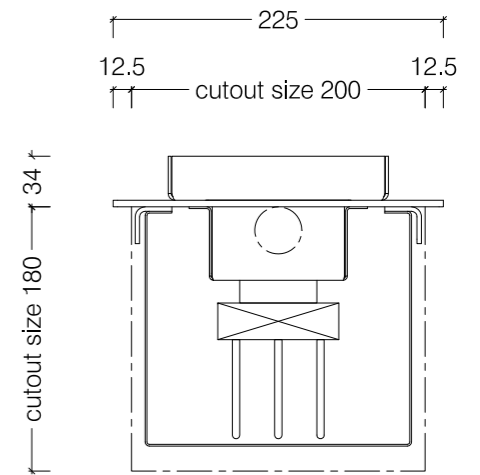


Top View

Gas supply line by specialist
to right hand side of unit

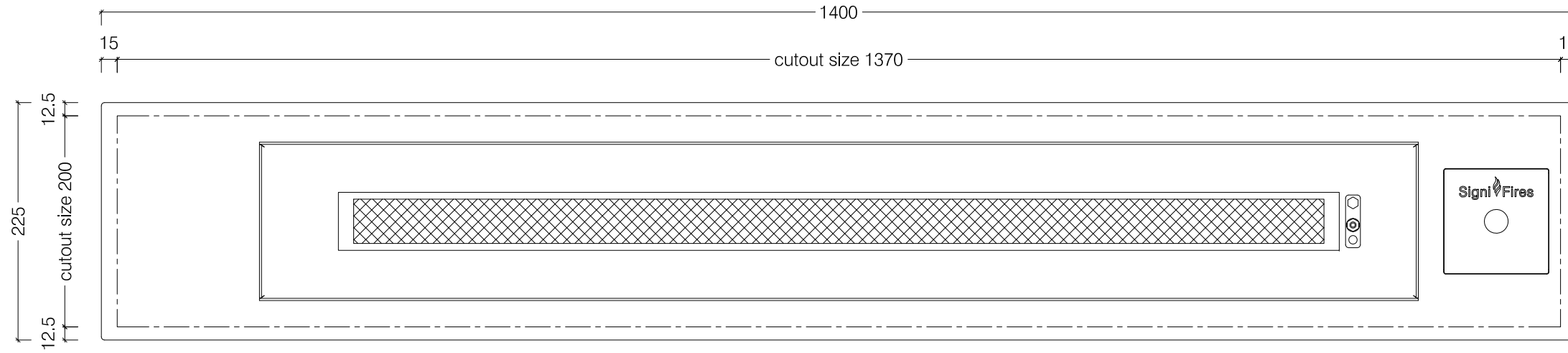


Front View



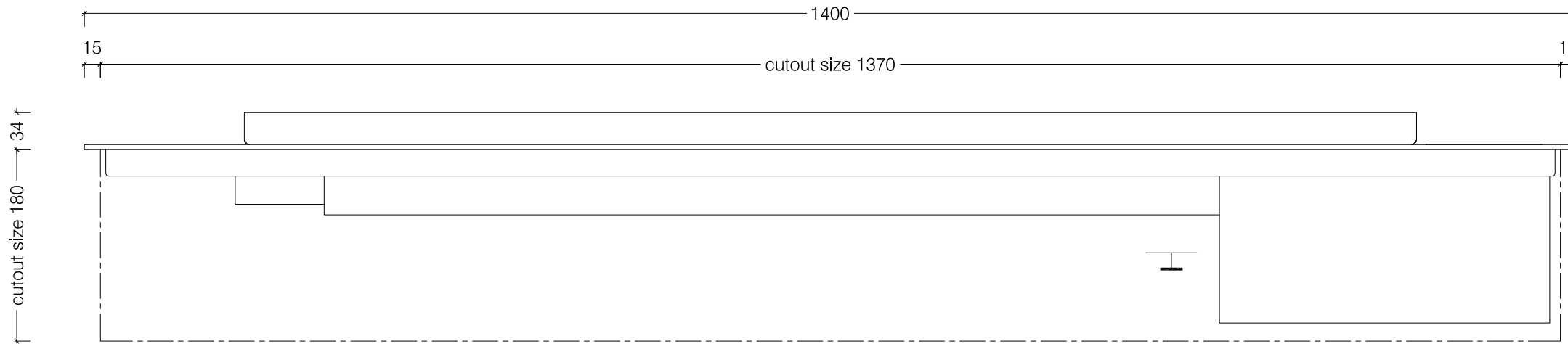
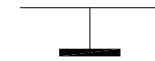
Side View

1200 Drop In Gas Heater With Pebble Frame

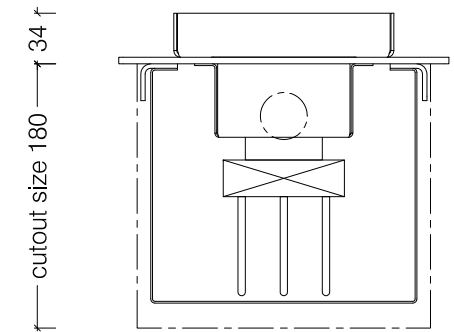
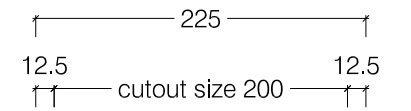


Top View

Gas supply line by specialist
to right hand side of unit

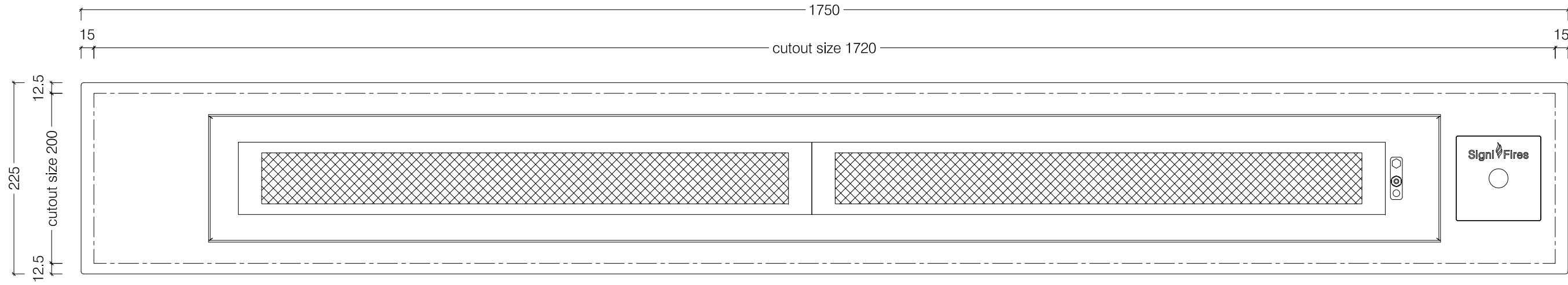


Front View



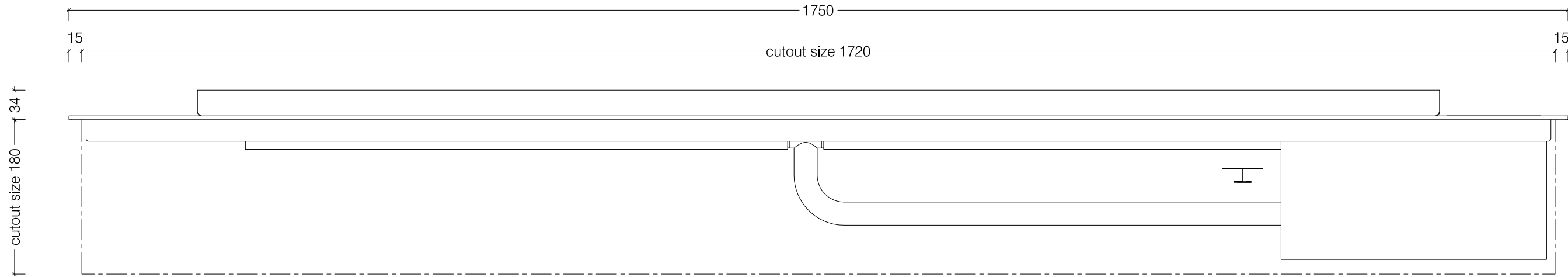
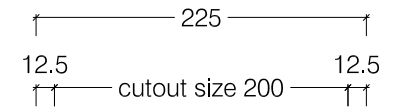
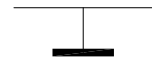
Side View

1400 Drop In Gas Heater With Pebble Frame

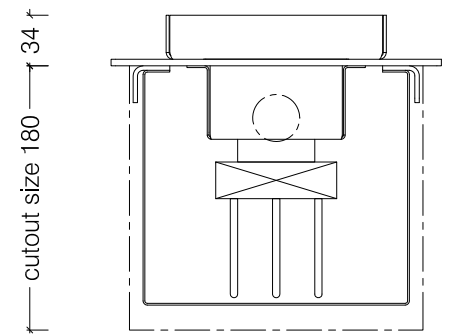


Top View

Gas supply line by specialist
to right hand side of unit

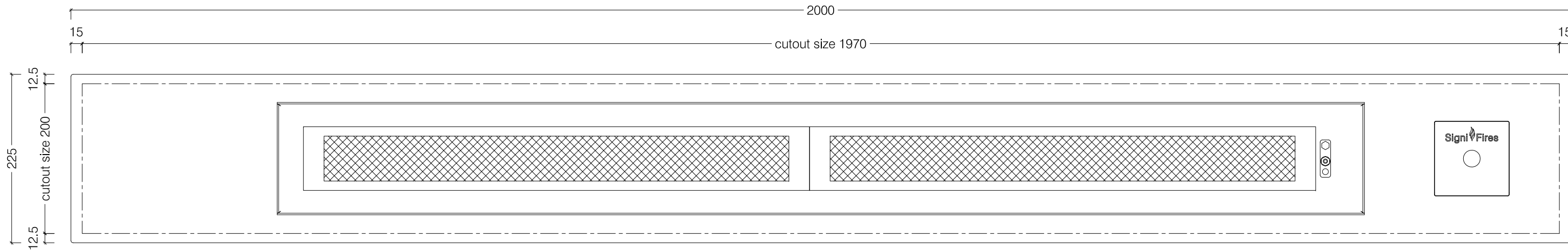


Front View



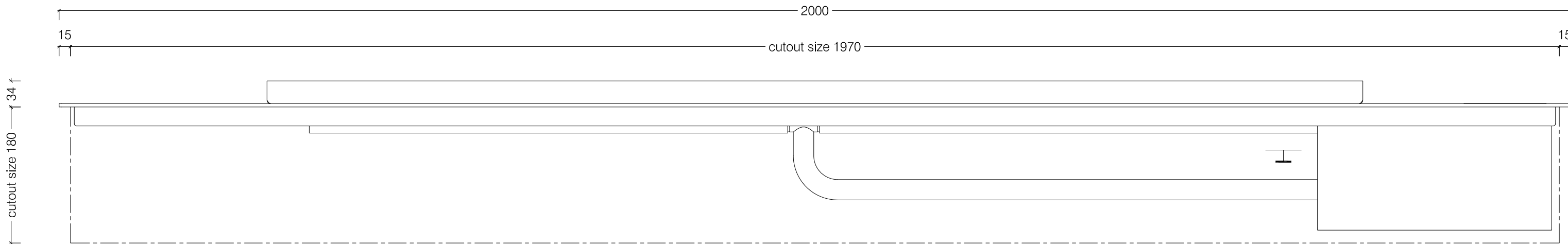
Side View

1750 Drop In Gas Heater With Pebble Frame

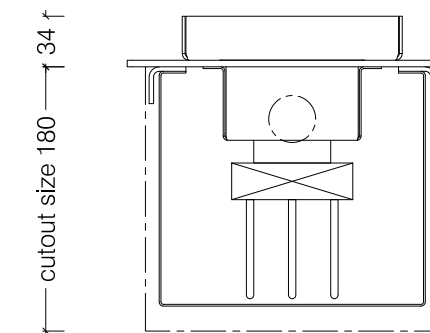
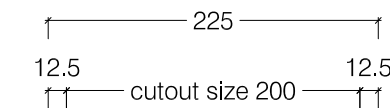


Top View

Gas supply line by specialist
to right hand side of unit



Front View



Side View

2000 Drop In Gas Heater With Pebble Frame