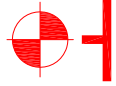

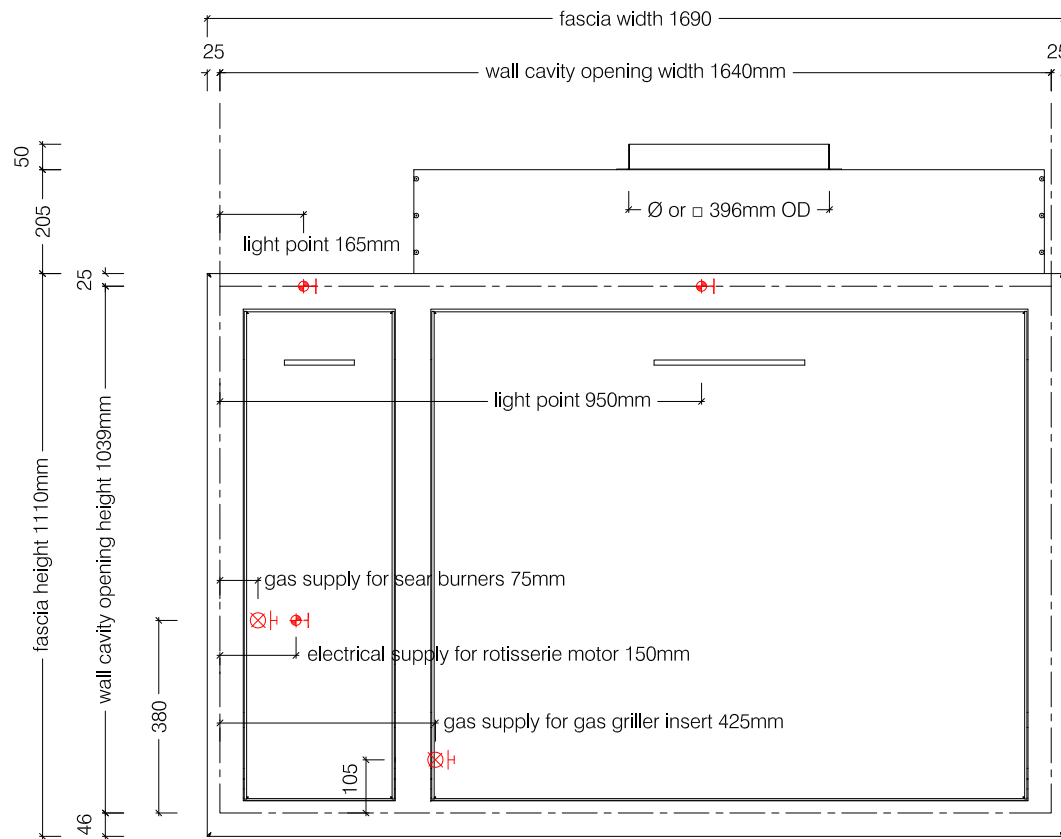


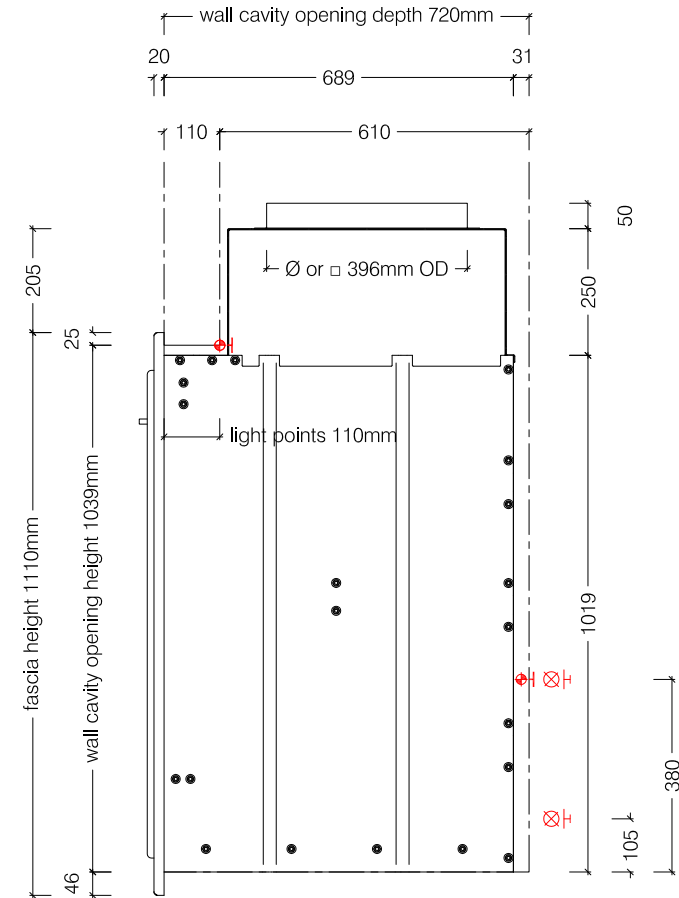
Top View

 Electrical supply by specialist to top of unit for light fittings and back of unit for rotisserie motor.

 Gas supply by specialist for gas griller insert & sear burners

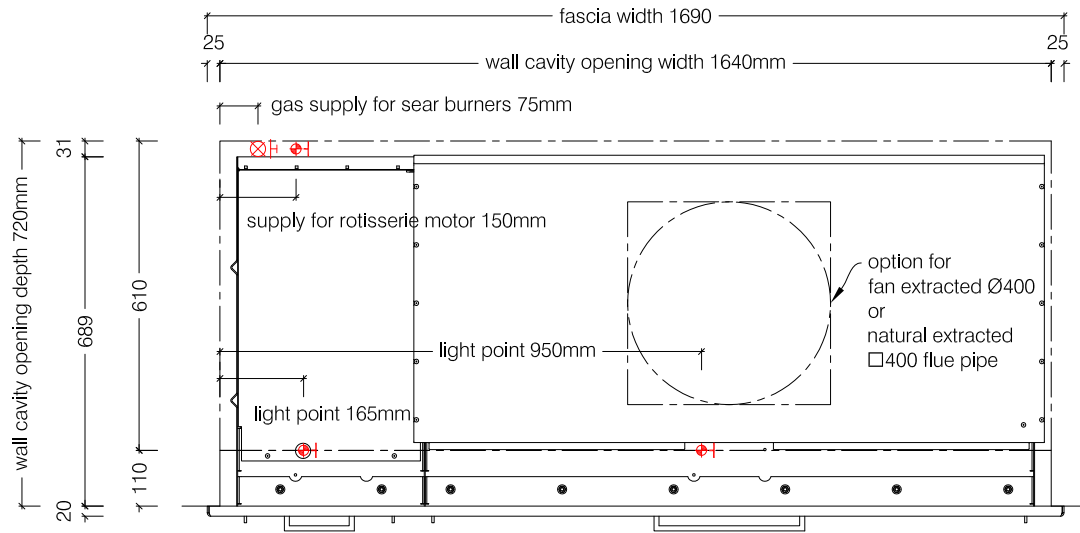


Front View

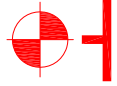



Side View

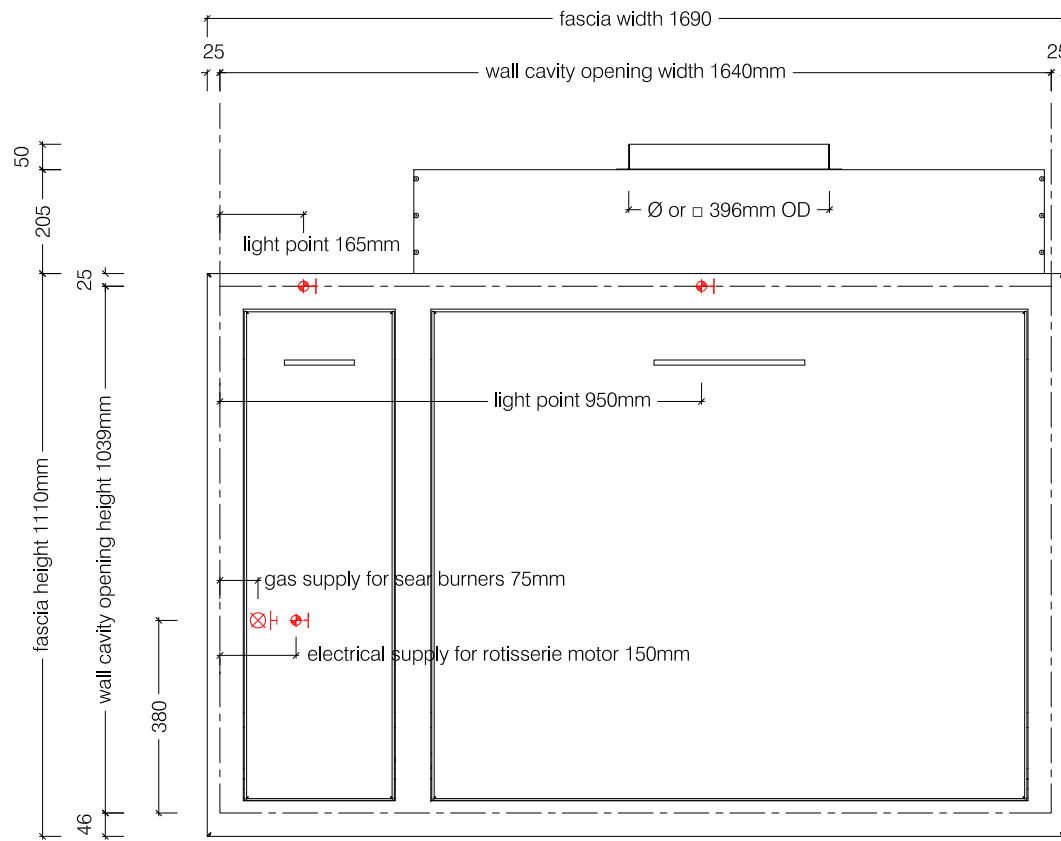
1700 Built In Spit Braai Body - All Gas



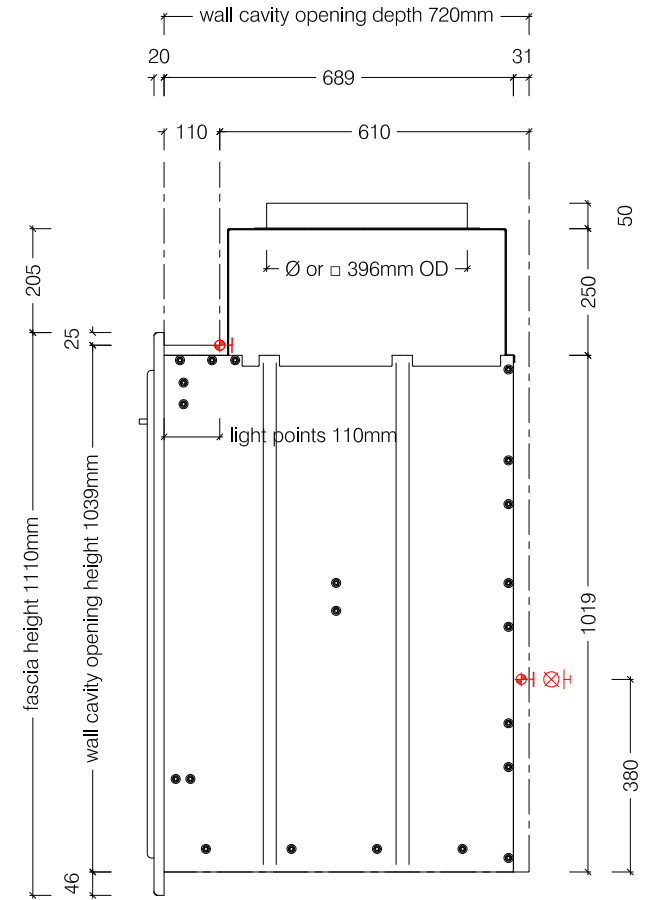
Top View

 Electrical supply by specialist to top of unit for light fittings and back of unit for rotisserie motor.

 Gas supply by specialist for sear burners

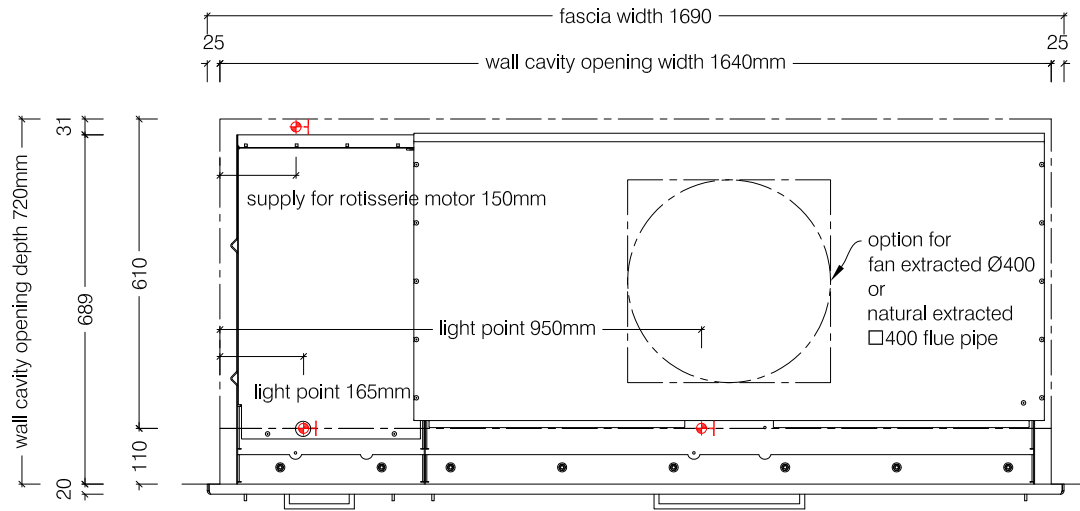


Front View

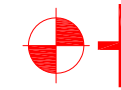


Side View

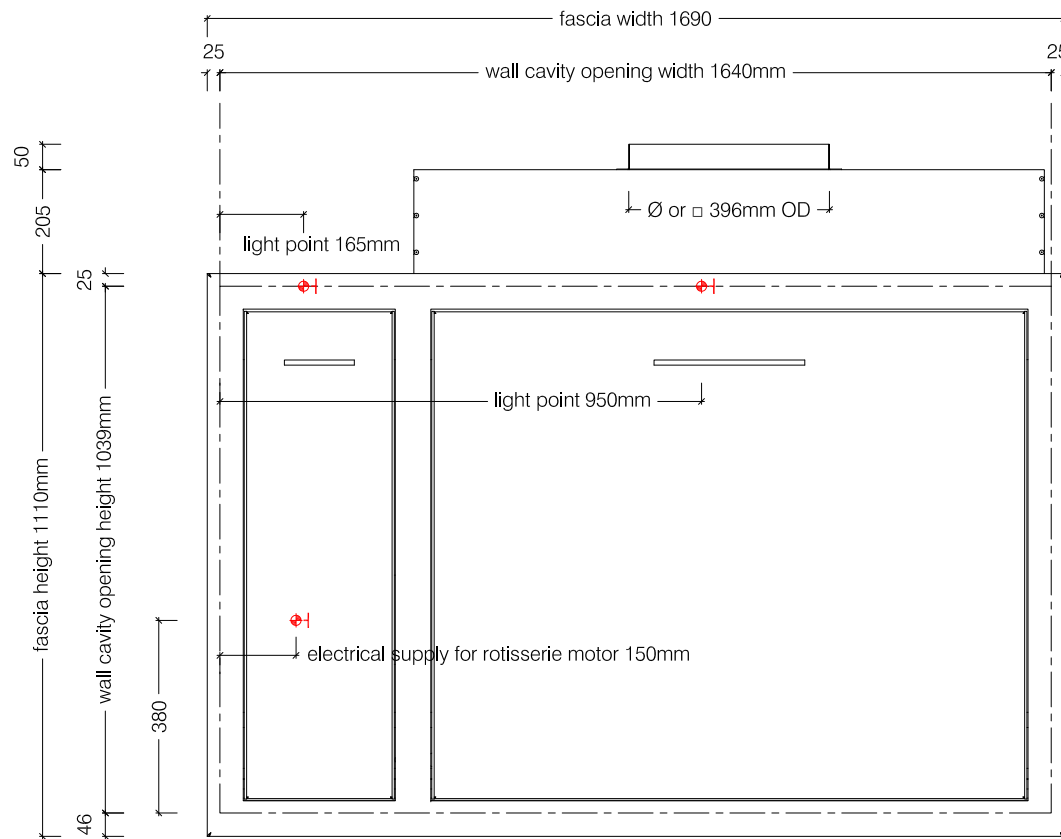
1700 Built In Spit Braai Body - Coal & Sear Burners



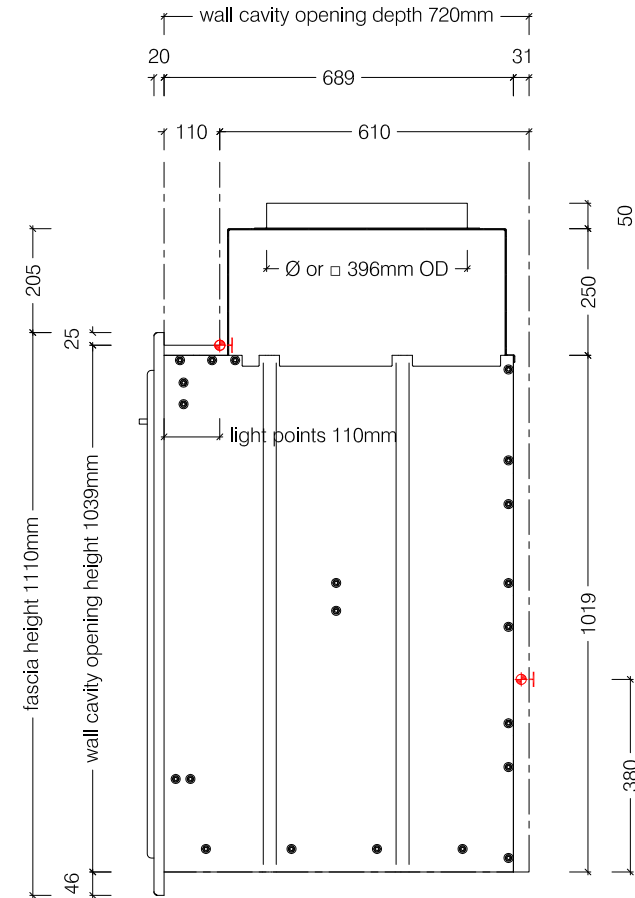
Top View



Electrical supply by specialist to top of unit for light fittings and back of unit for rotisserie motor.



Front View



Side View

1700 Built In Spit Braai Body - Wood Only