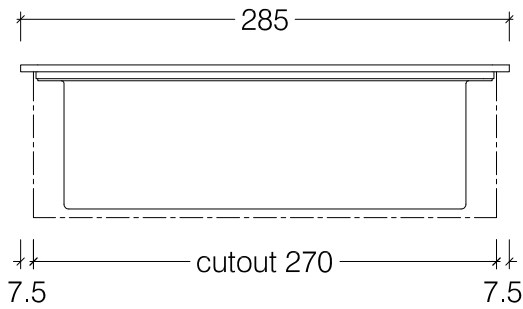
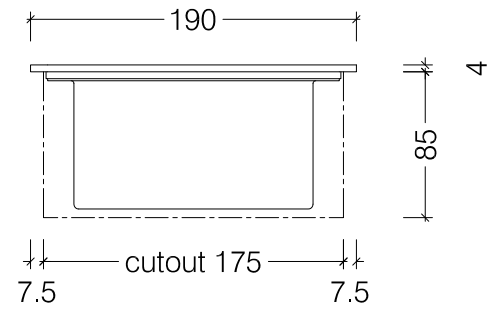


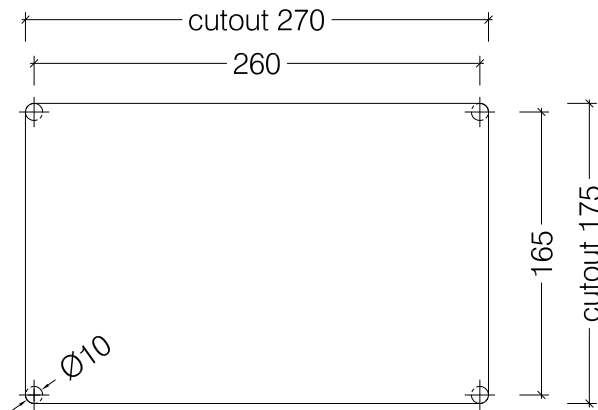
Top View



Front View



Side View



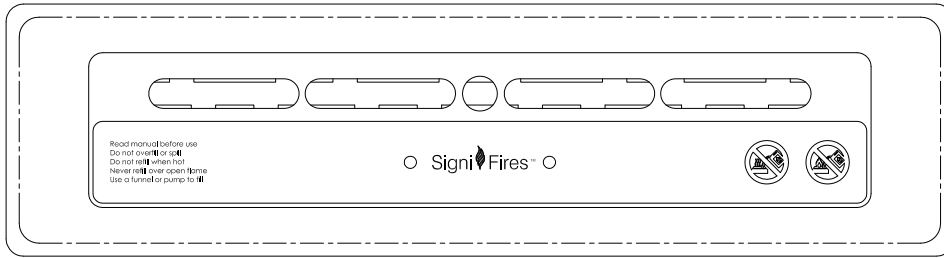
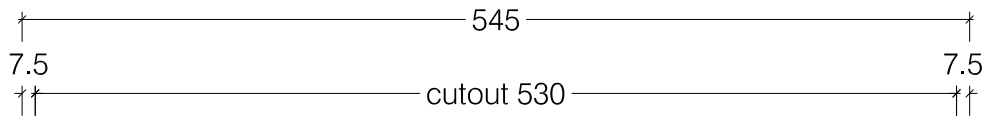
Cutout Size

## New Slimline 285 Biofuel Burner

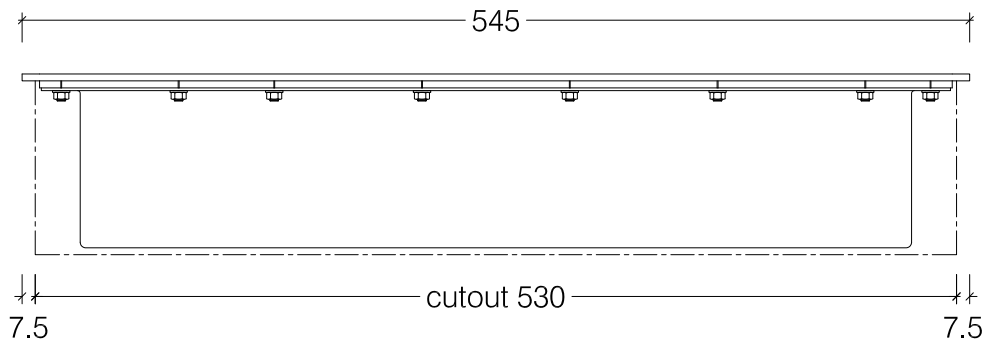
© This drawing is copyright and remains the property of Signi Fires.  
 It may not be retained, copied or used without written consent.

Signi  Fires™

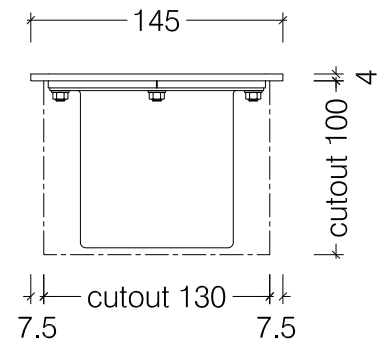
[www.signifires.com](http://www.signifires.com)



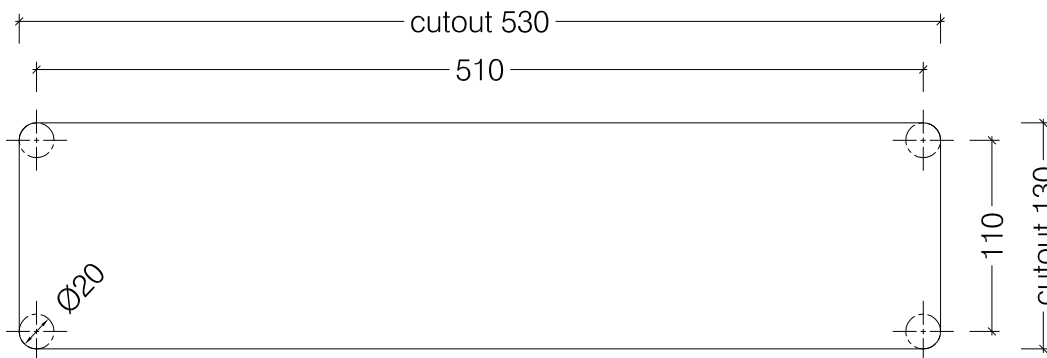
Top View



Front View



Side View



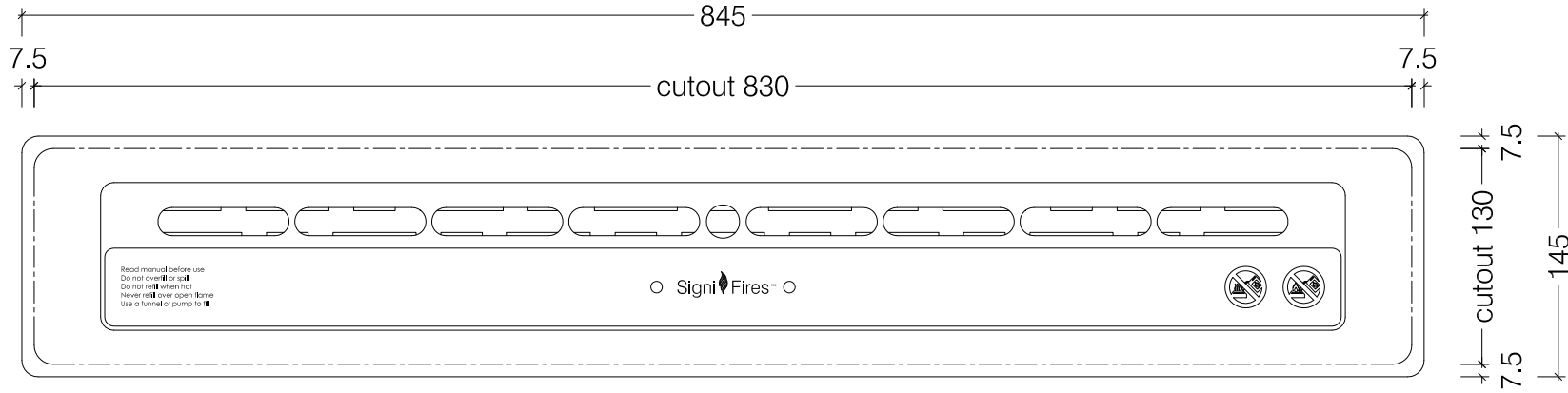
Cutout Size

## New Slimline 500 Biofuel Burner

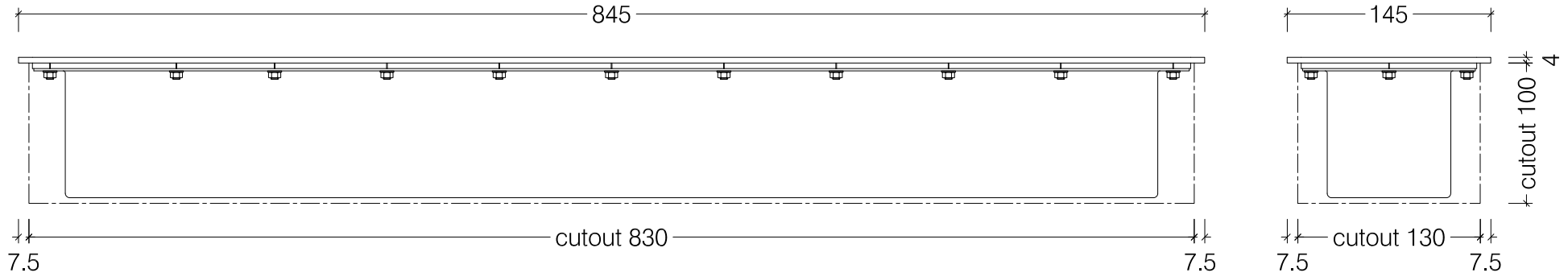
© This drawing is copyright and remains the property of Signi Fires.  
It may not be retained, copied or used without written consent.

Signi Fires™

www.signifires.com

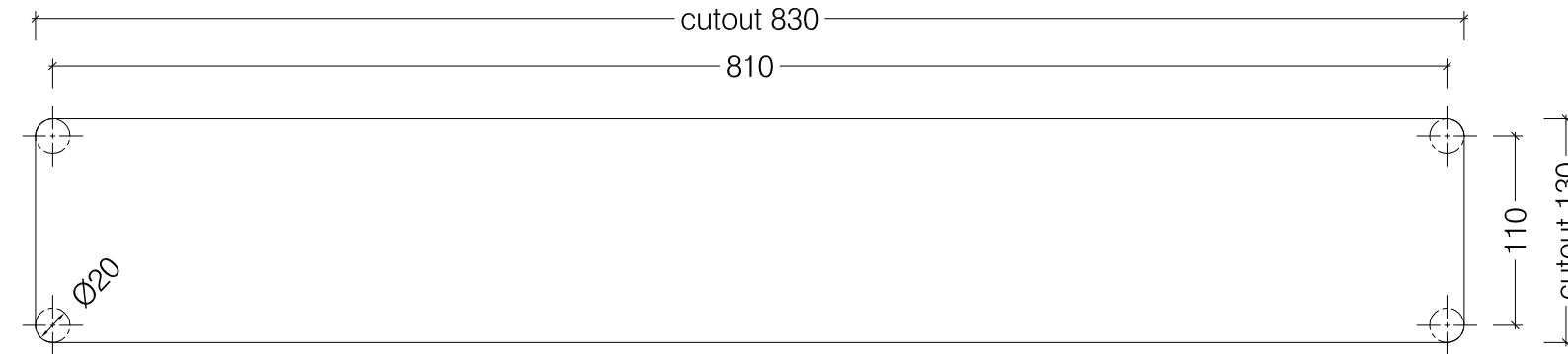


Top View



Front View

Side View



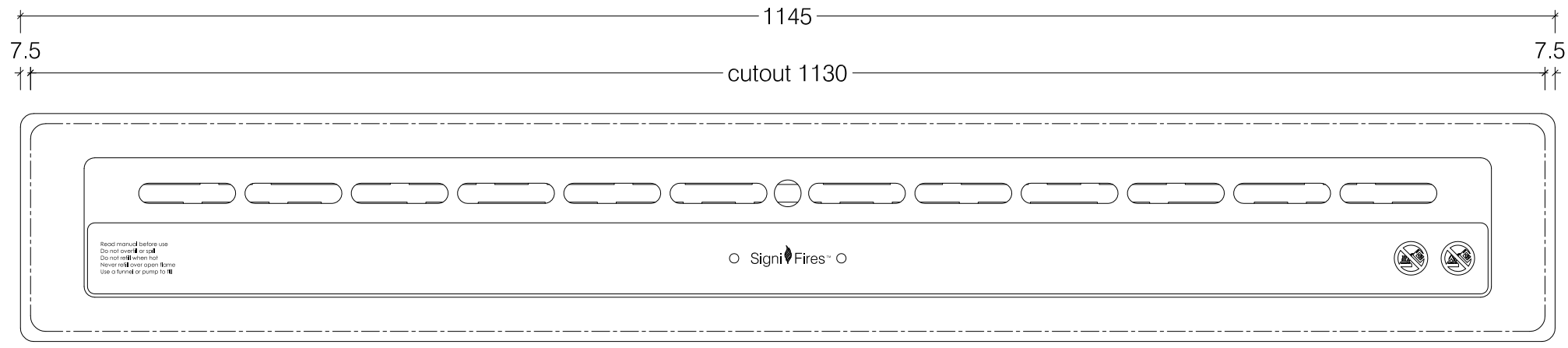
Cutout Size

## New Slimline 800 Biofuel Burner

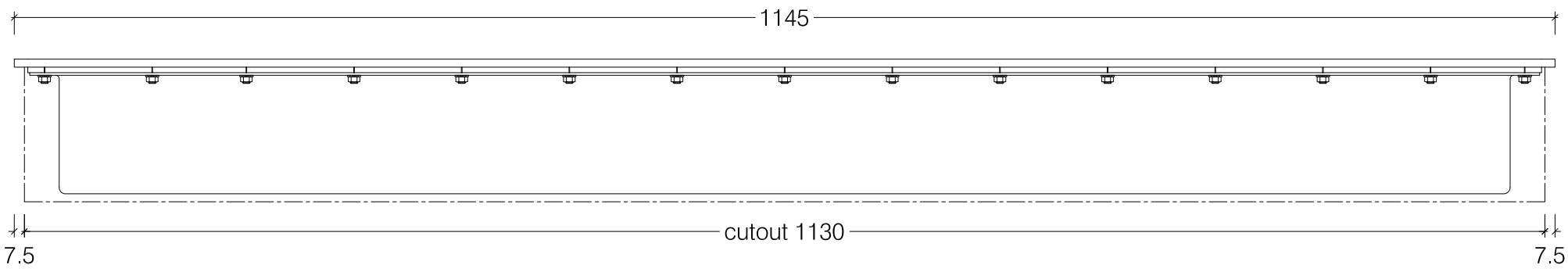
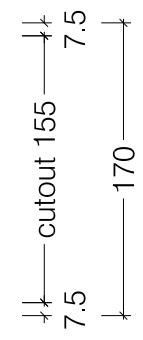
© This drawing is copyright and remains the property of Signi Fires. It may not be retained, copied or used without written consent.

Signi Fires™

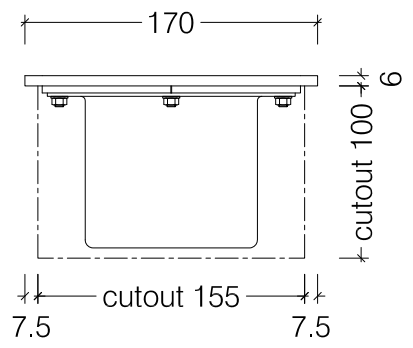
www.signifires.com



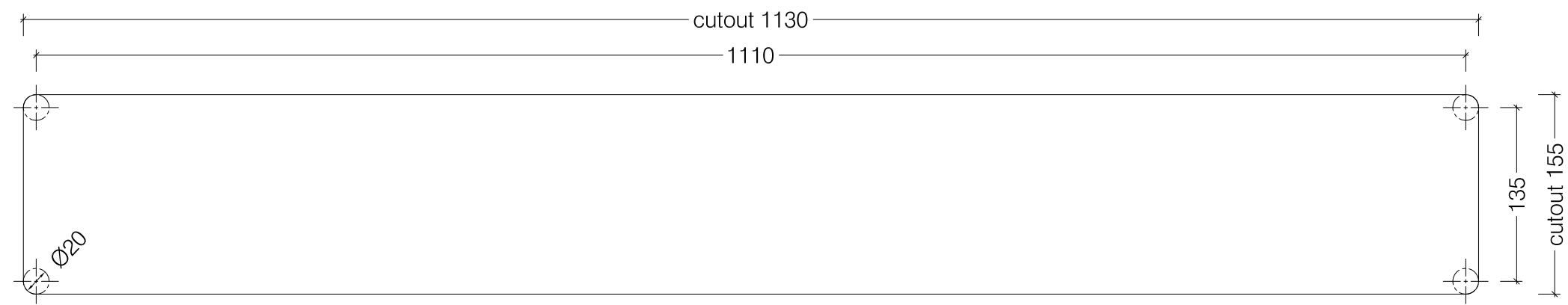
Top View



Front View



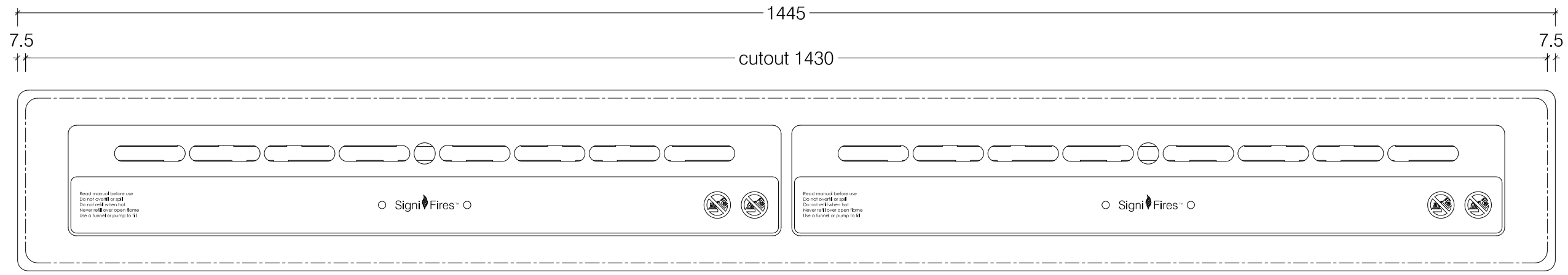
Side View



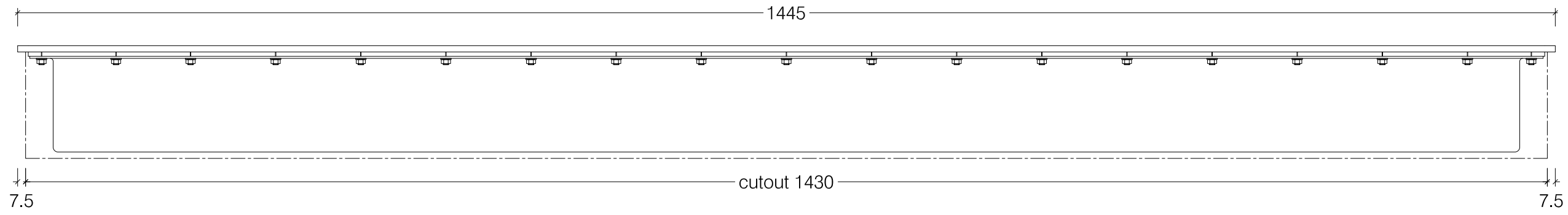
Cutout Size

# New Slimline 1100 Biofuel Burner

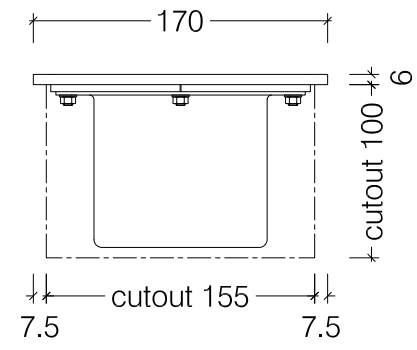
© This drawing is copyright and remains the property of Signi Fires. It may not be retained, copied or used without written consent.



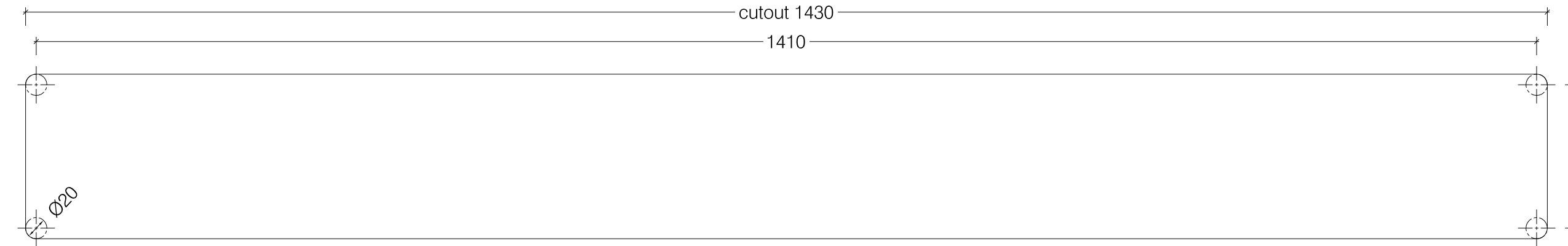
Top View



Front View



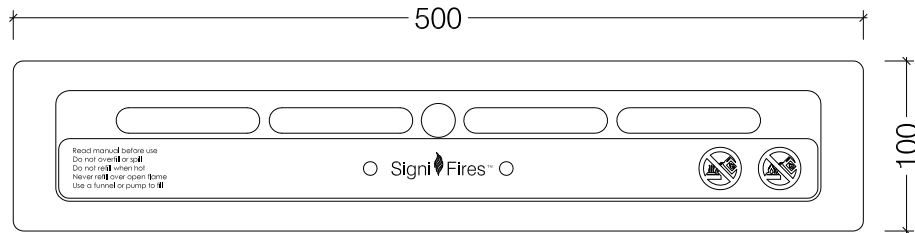
Side View



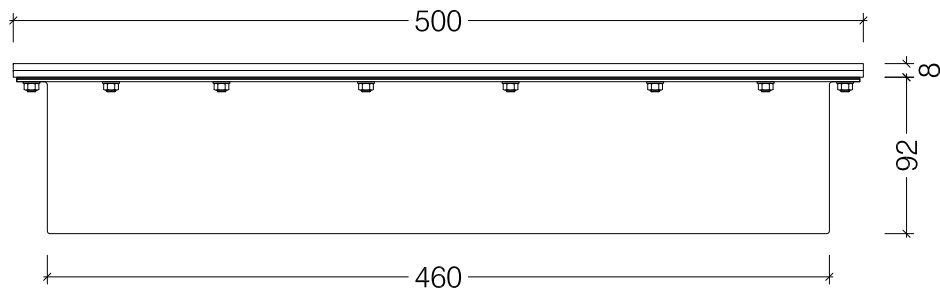
Cutout Size

New Slimline 1400 Biofuel Burner

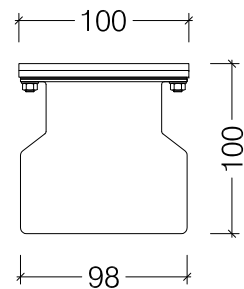
© This drawing is copyright and remains the property of Signi Fires. It may not be retained, copied or used without written consent.



Top View



Front View



Side View

## Slimline 500 Biofuel Burner

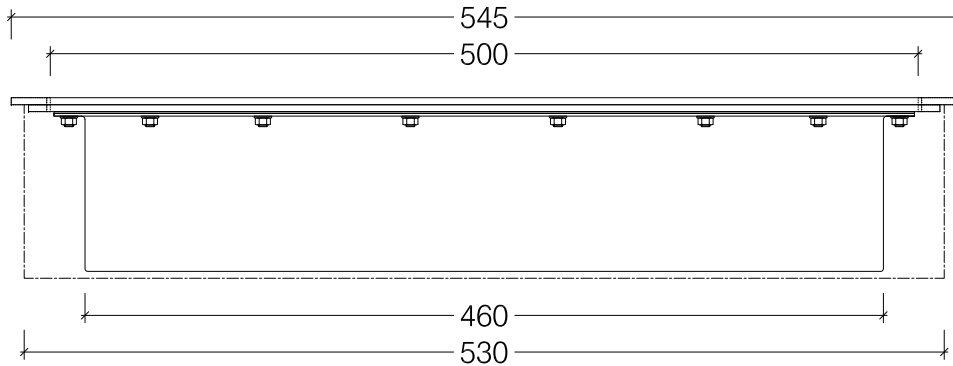
© This drawing is copyright and remains the property of Signi Fires.  
It may not be retained, copied or used without written consent.

Signi  Fires™

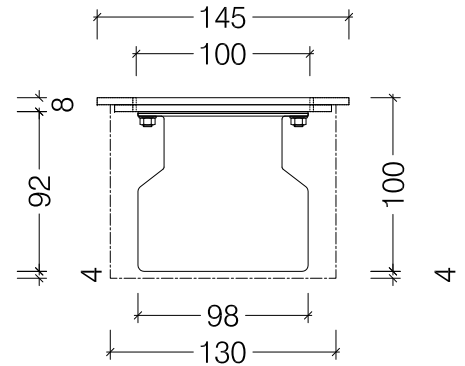
[www.signifires.com](http://www.signifires.com)



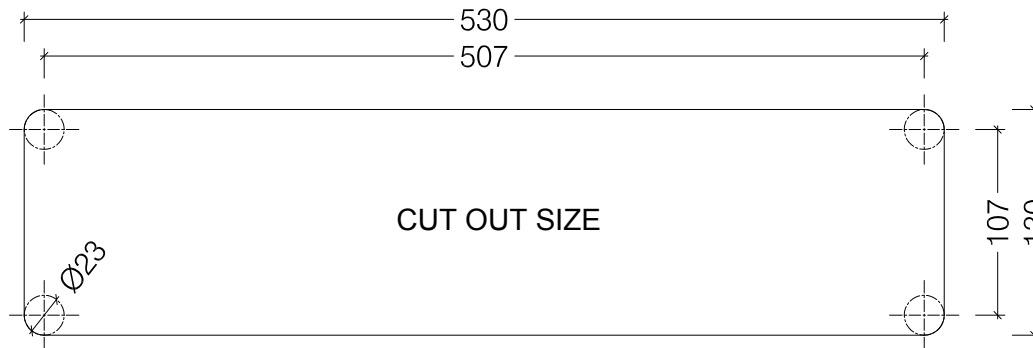
Top View



Front View



Side View



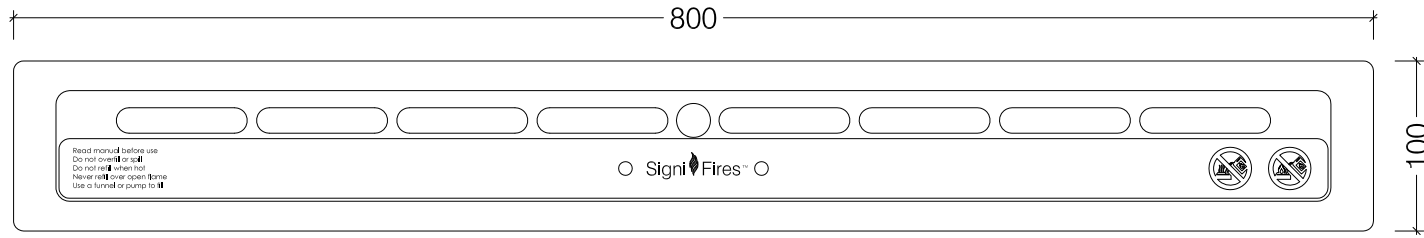
CUT OUT SIZE

## Slimline 500 Biofuel Burner With Mount Plate

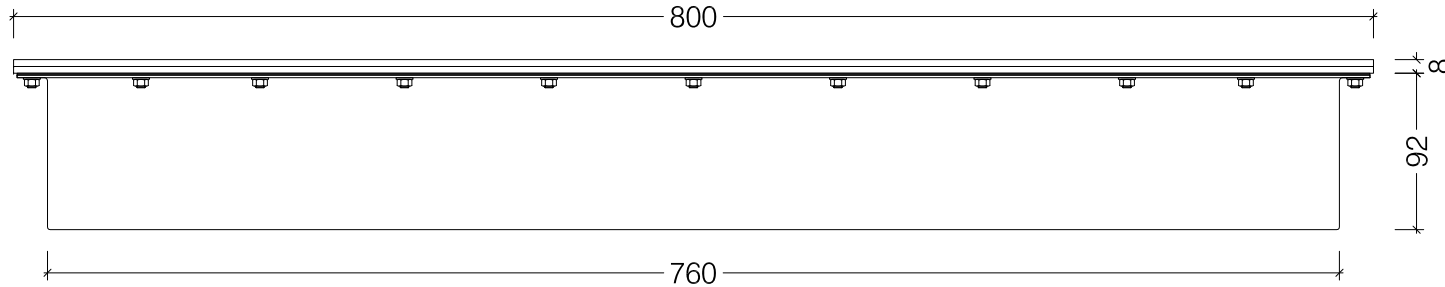
© This drawing is copyright and remains the property of Signi Fires.  
It may not be retained, copied or used without written consent.

Signi  Fires™

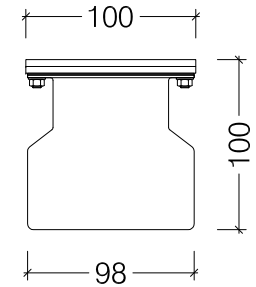
[www.signifires.com](http://www.signifires.com)



Top View



Front View



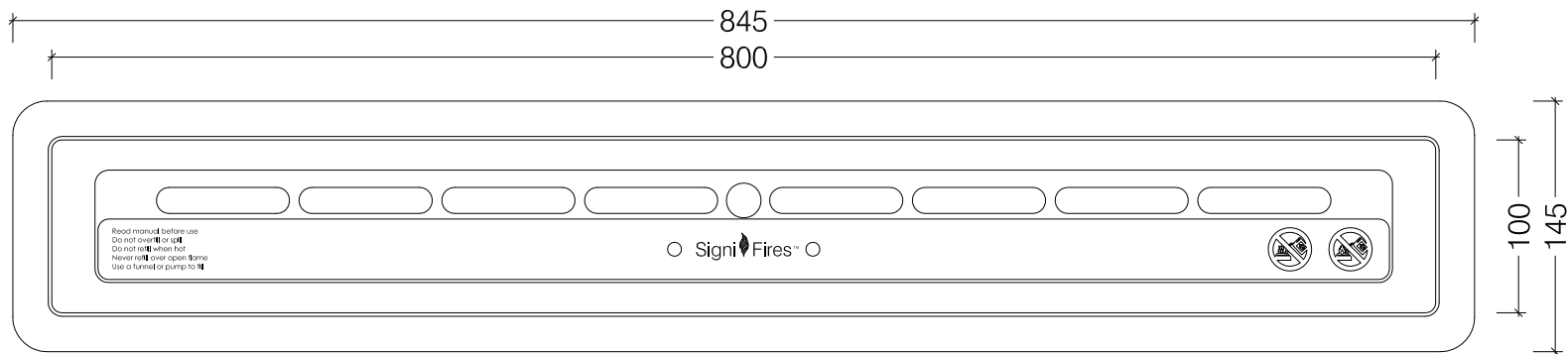
Side View

## Slimline 800 Biofuel Burner

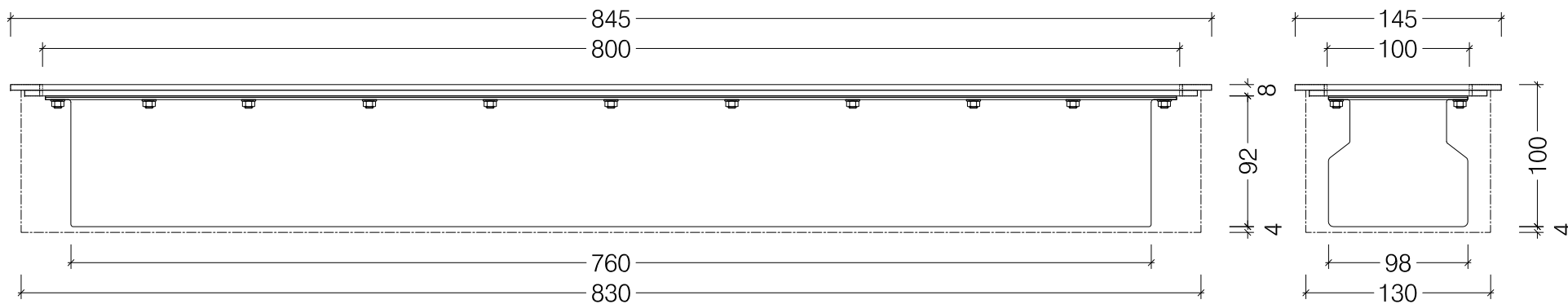
© This drawing is copyright and remains the property of Signi Fires. It may not be retained, copied or used without written consent.

Signi  Fires™

[www.signifires.com](http://www.signifires.com)

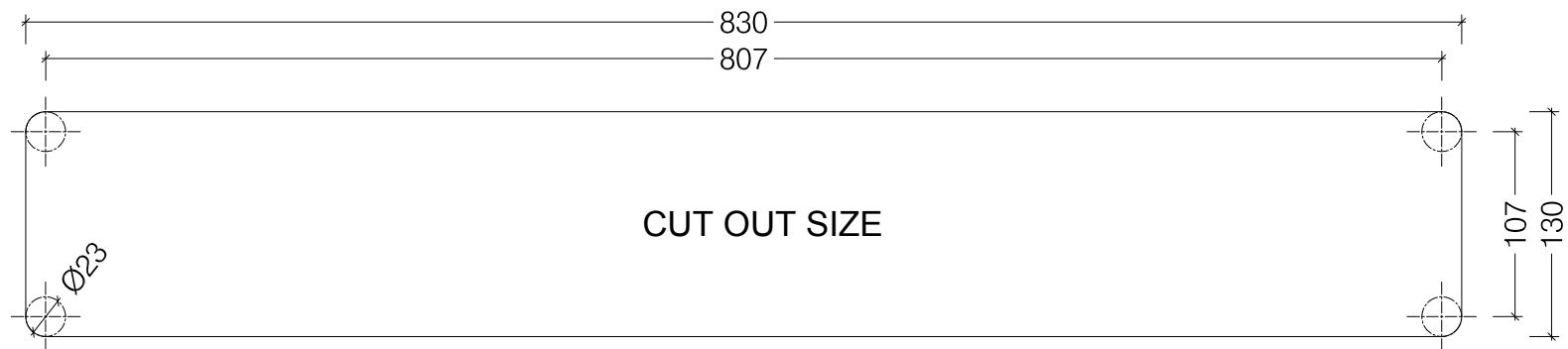


Top View



Front View

Side View

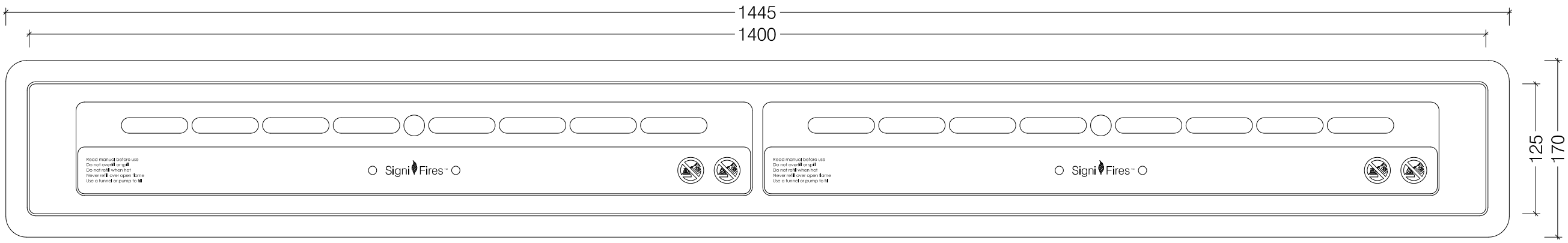


## Slimline 800 Biofuel Burner With Mount Plate

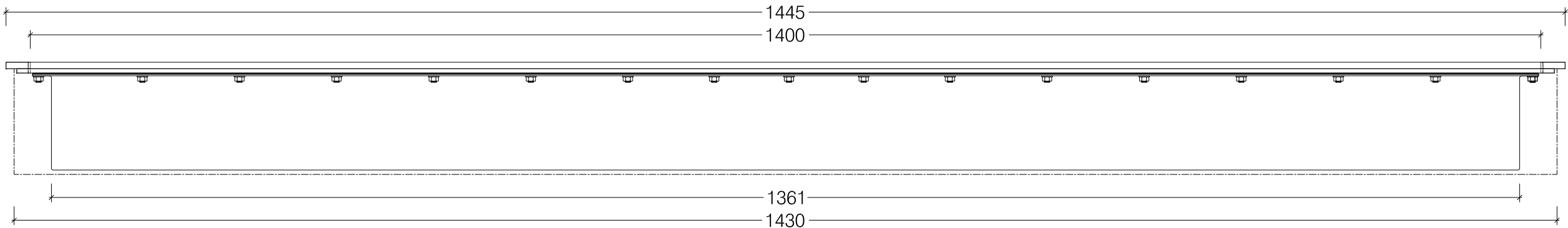
© This drawing is copyright and remains the property of Signi Fires. It may not be retained, copied or used without written consent.

Signi Fires™

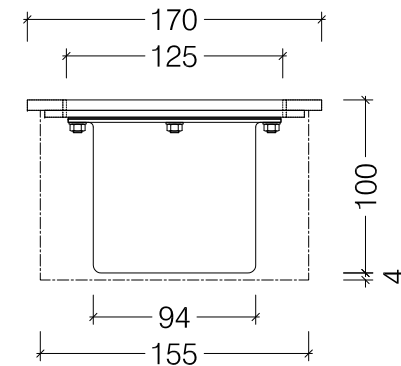
www.signifires.com



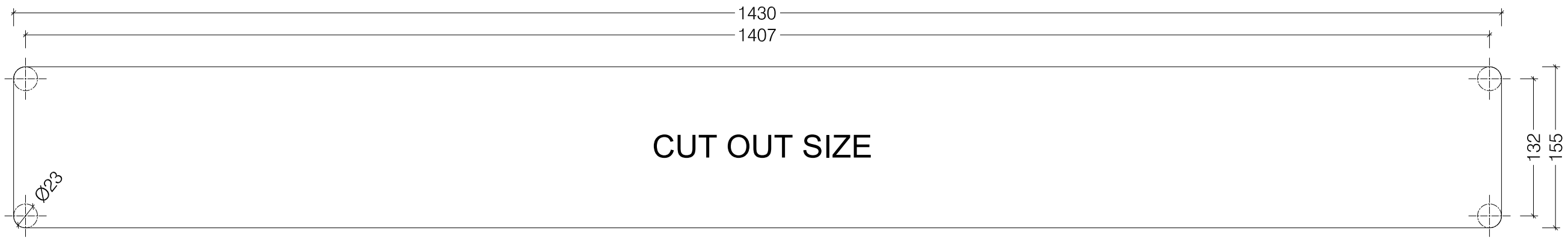
Top View



Front View



Side View

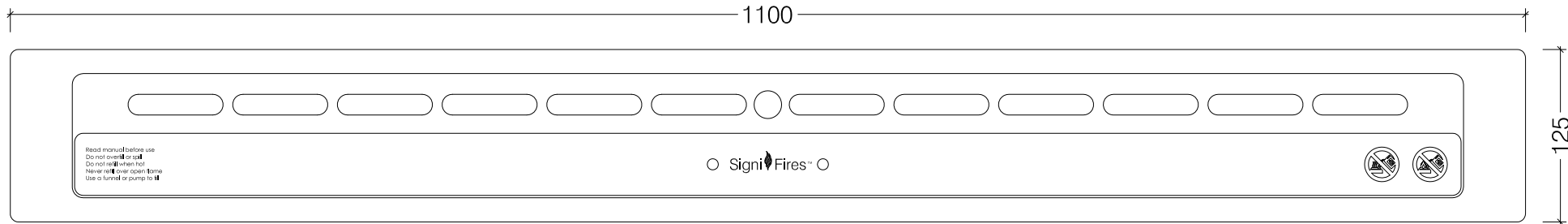


CUT OUT SIZE

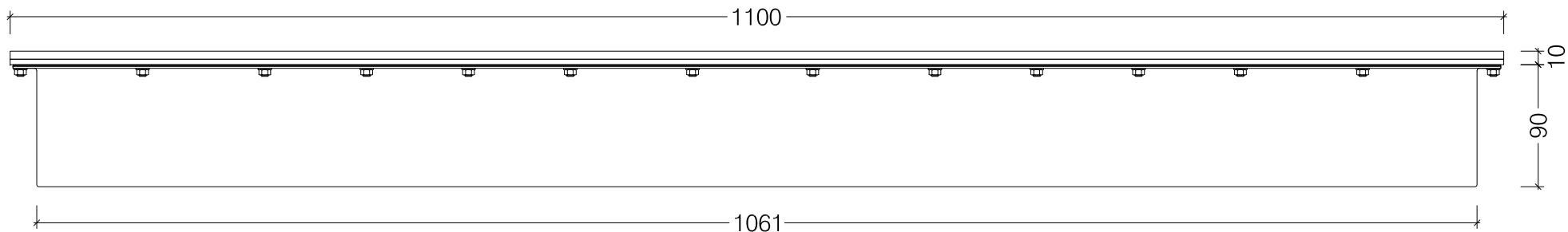
Slimline 1400 Biofuel Burner With Mount Plate

© This drawing is copyright and remains the property of Signi Fires. It may not be retained, copied or used without written consent.

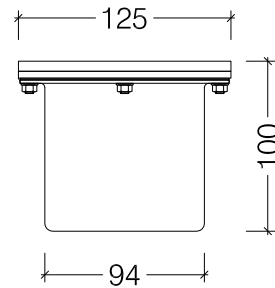




Top View



Front View



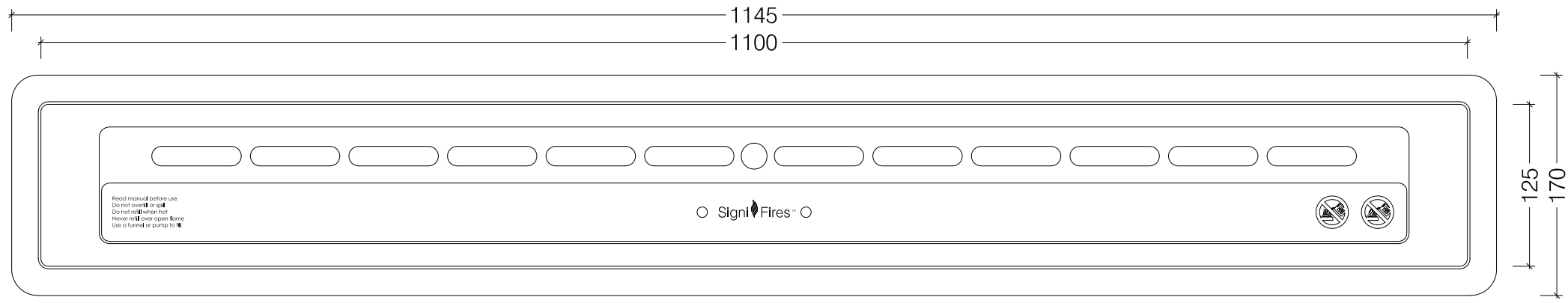
Side View

## Slimline 1100 Biofuel Burner

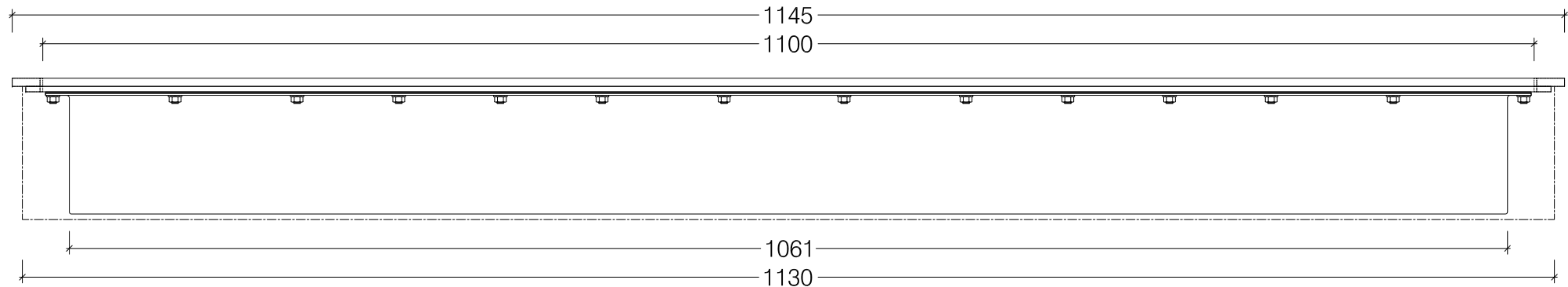
© This drawing is copyright and remains the property of Signi Fires. It may not be retained, copied or used without written consent.

Signi  Fires™

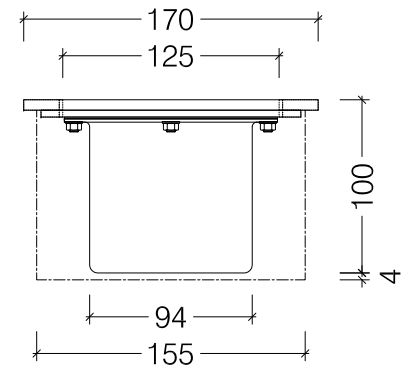
[www.signifires.com](http://www.signifires.com)



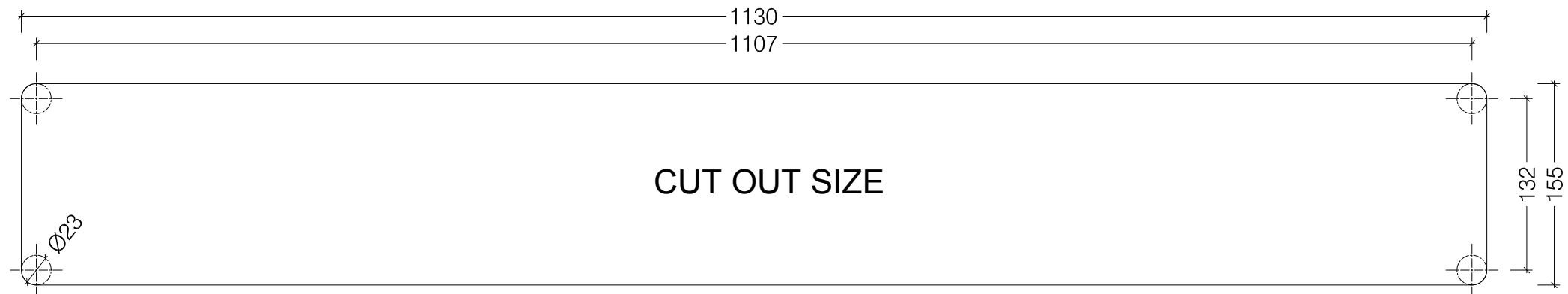
Top View



Front View



Side View



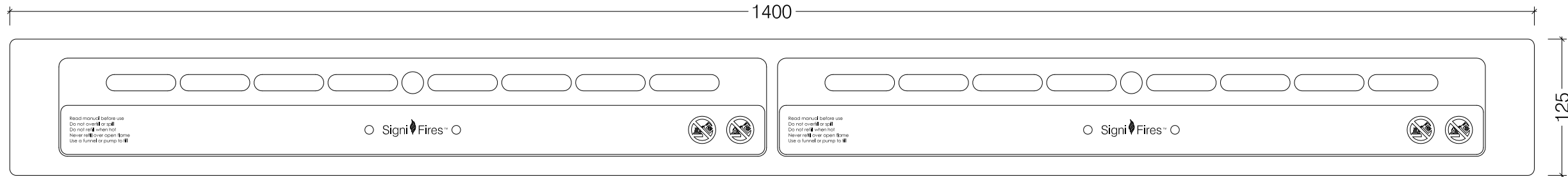
CUT OUT SIZE

## Slimline 1100 Biofuel Burner With Mount Plate

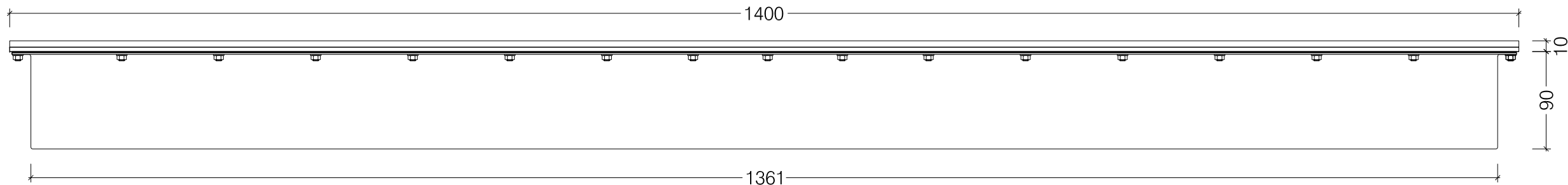
© This drawing is copyright and remains the property of Signi Fires. It may not be retained, copied or used without written consent.

Signi  Fires™

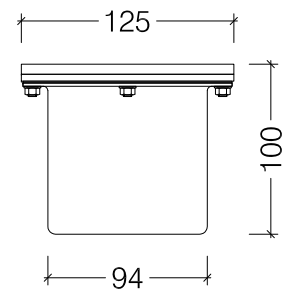
[www.signifires.com](http://www.signifires.com)



Top View



Front View



Side View

## Slimline 1400 Biofuel Burner

© This drawing is copyright and remains the property of Signi Fires. It may not be retained, copied or used without written consent.

Signi  Fires™

[www.signifires.com](http://www.signifires.com)