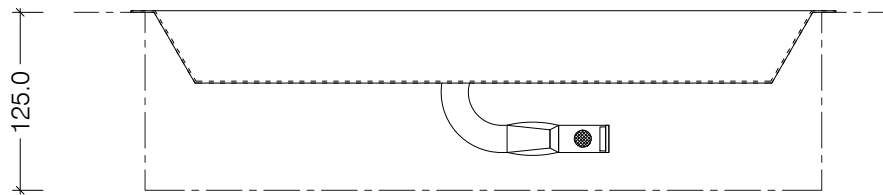
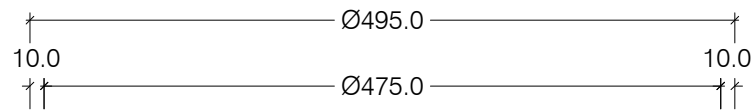
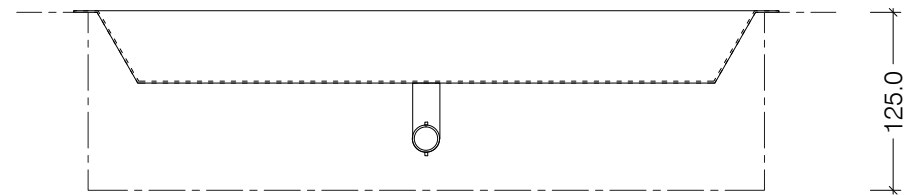
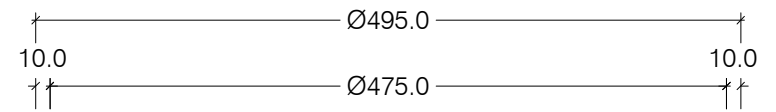


Top View

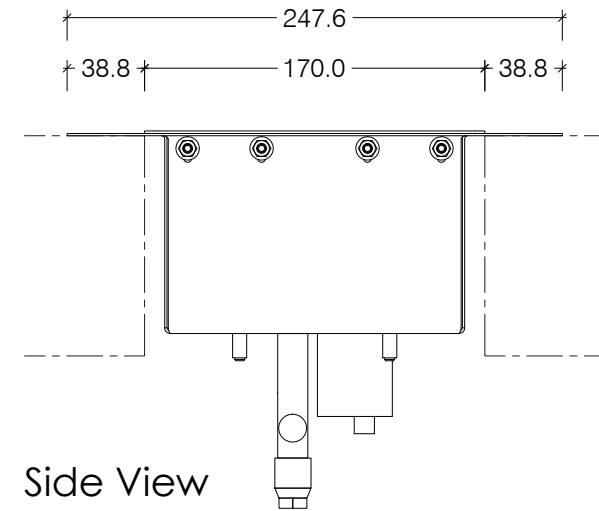
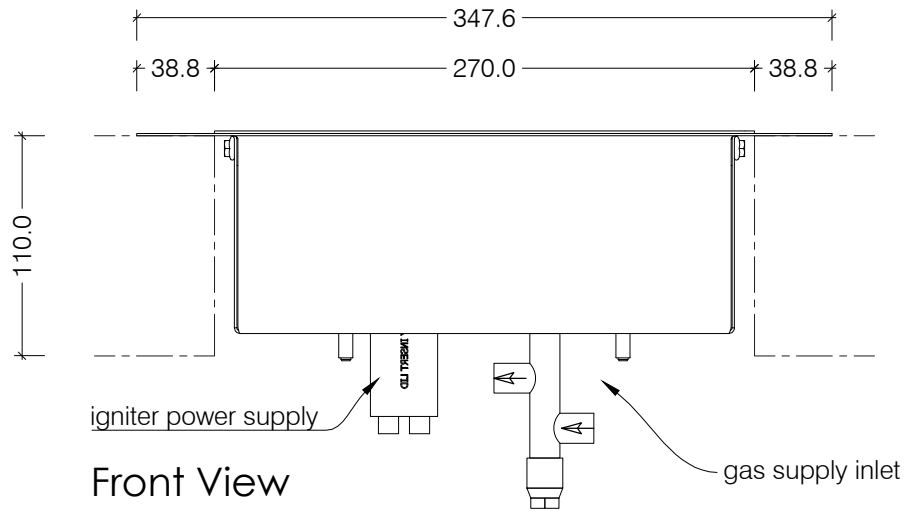
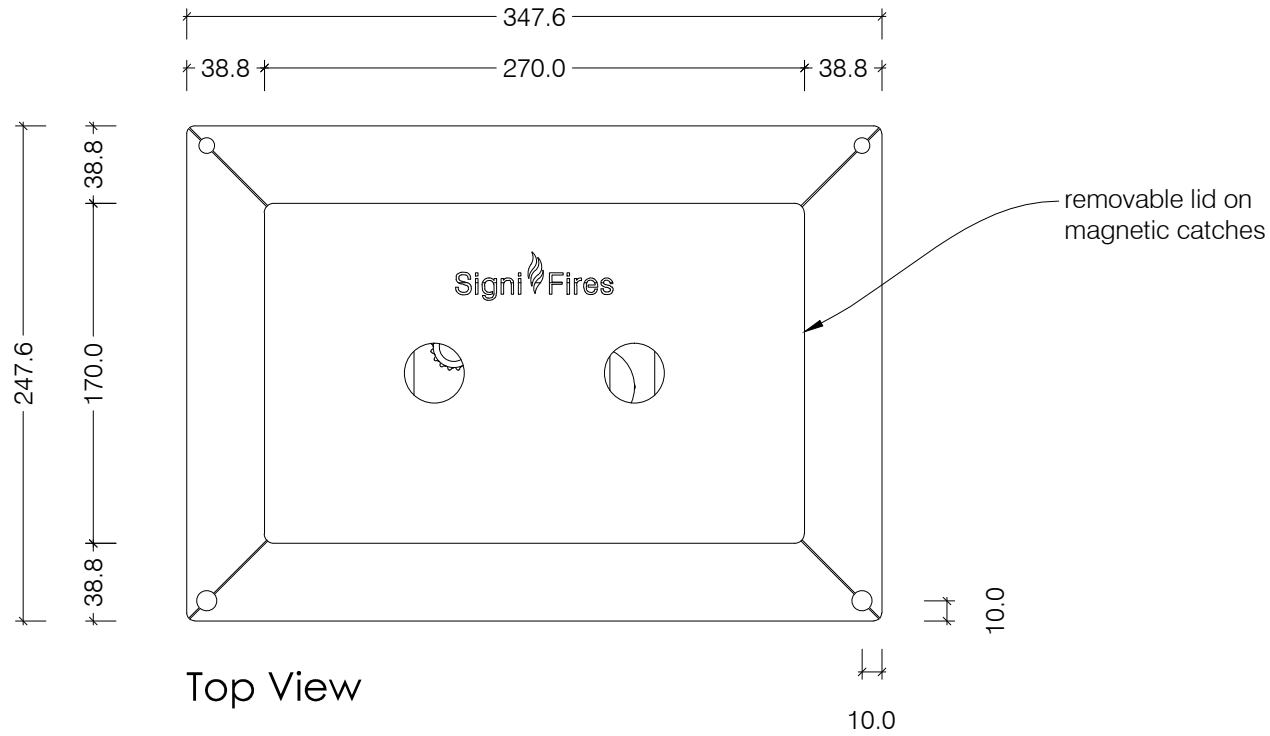


Front View



Side View

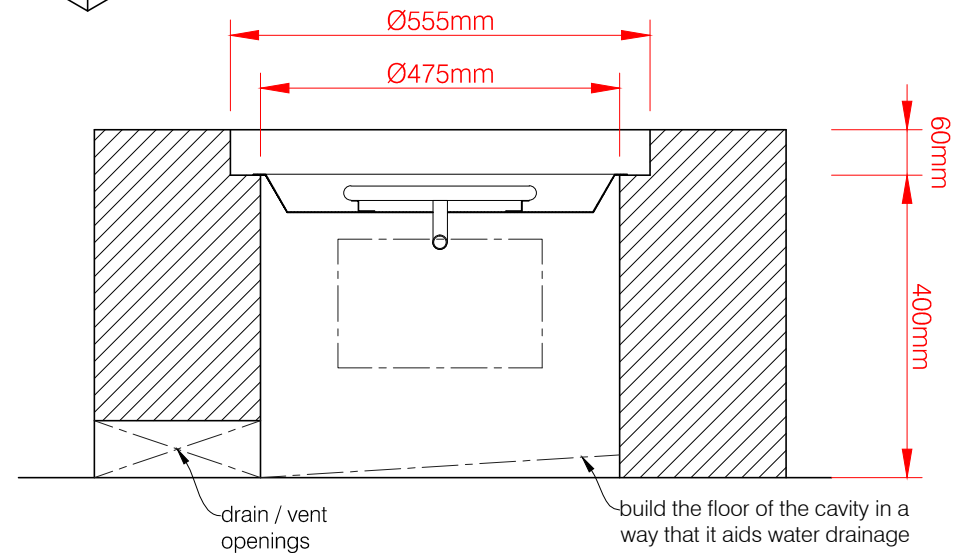
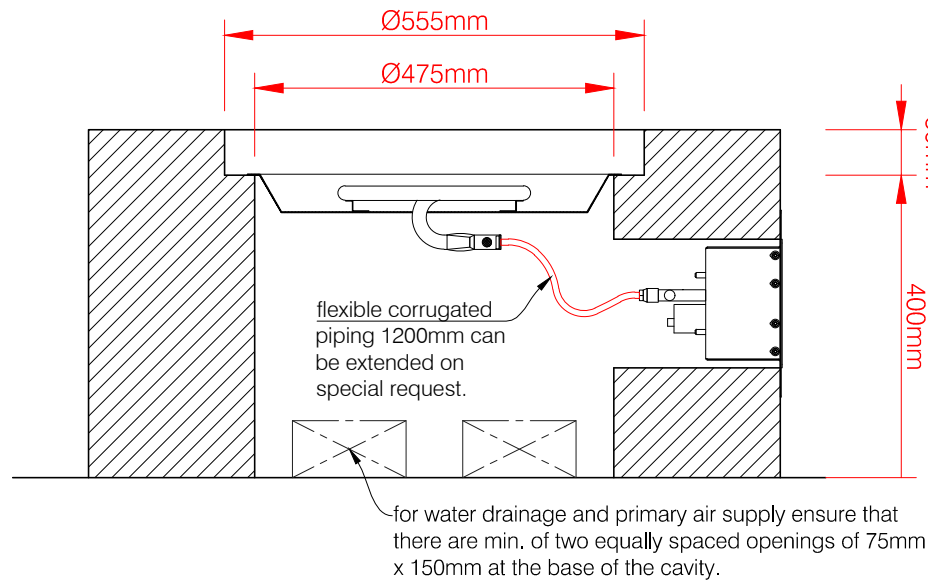
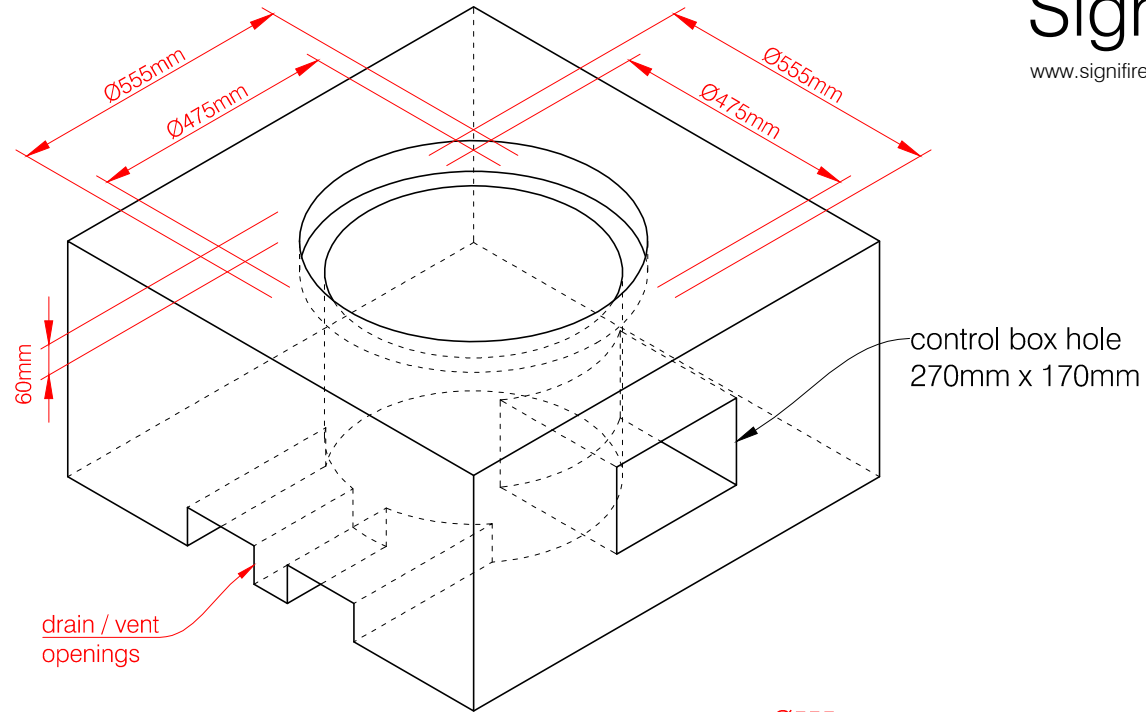
Round Fire Pit 500



Fire Pit Control Valve - Manual

Note:

- This is merely a pictographic representation of a typical installation and structure.
- All installation and building work to be done by qualified installers and to comply with the relevant national building regulations.
- Include an opening below the fire pit that leads into the cavity for the control box.
- Maximum length of corrugated piping from the control box to the center of the burner is 1,2m.
- Make sure there are a minimum of two openings no less than 75mm x 150mm at the bottom of the cavity for primary air supply and water drainage.
- Build the floor of the cavity in such a way that it aids water drainage.
- Fire pits are for outdoor use only.



Fire Pit Round 500 - Installation Guideline