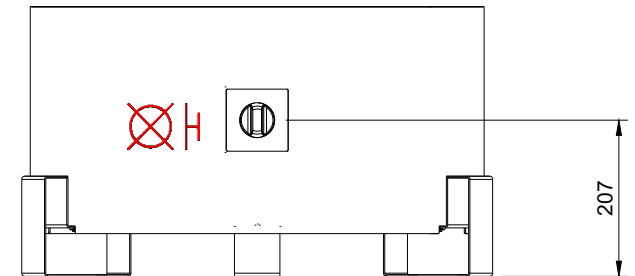
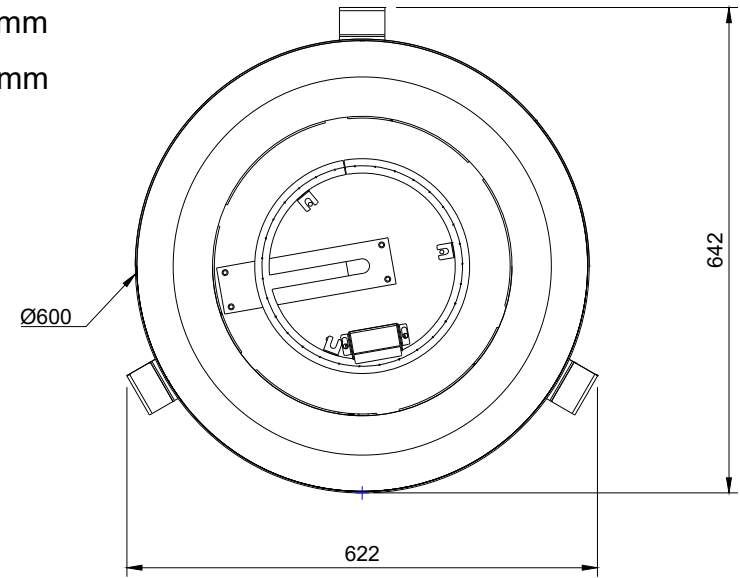
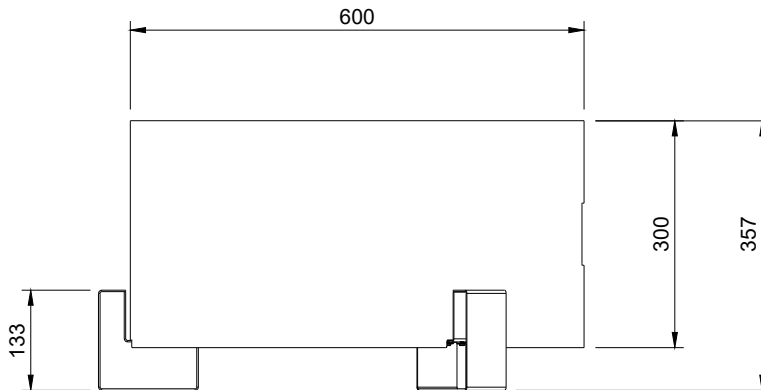
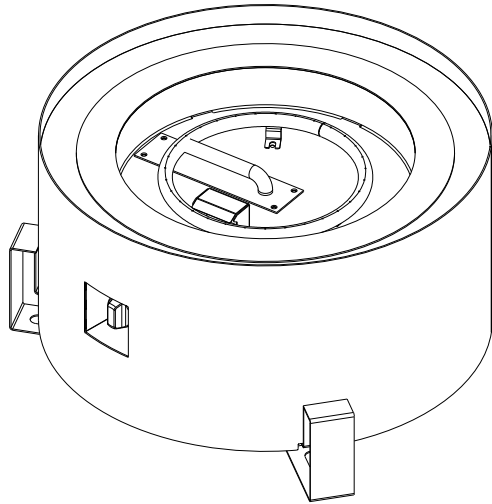




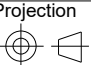
Complete Unit:
 Gas Round Firepit - 600mm
 Gas Firepit Burner - 500mm



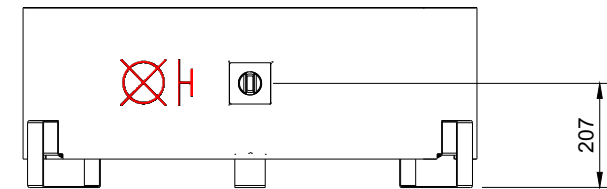
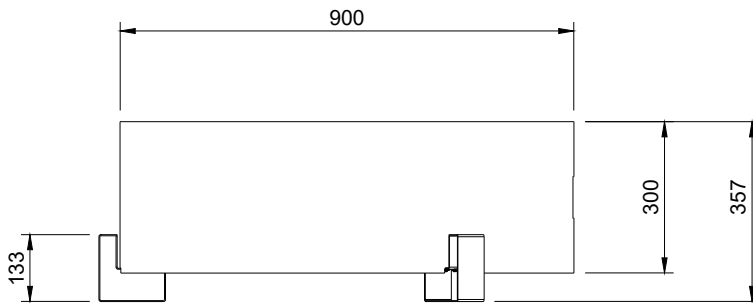
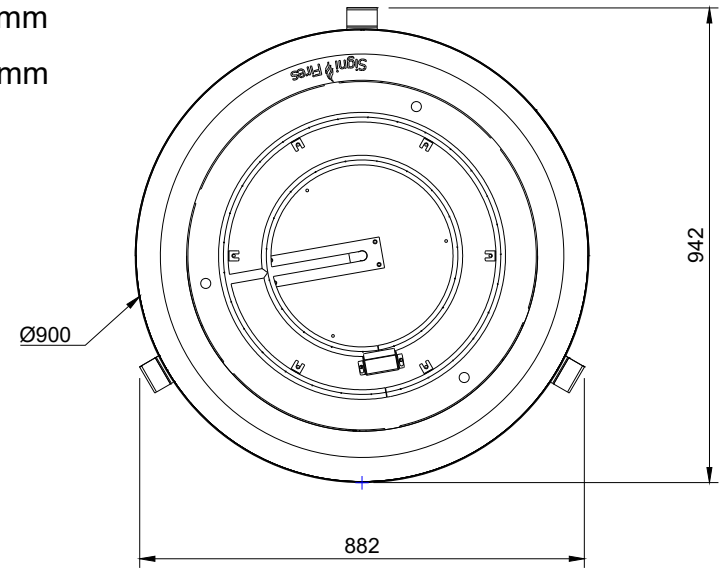
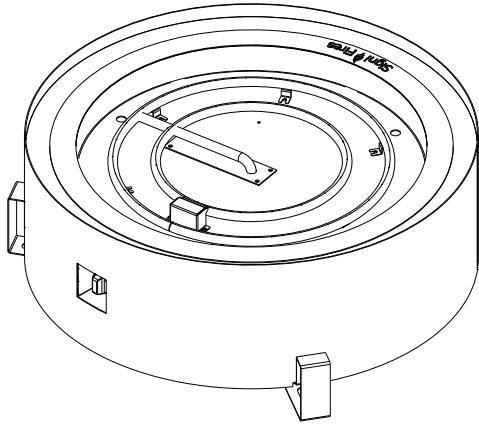
600 Gas Round Firepit

MOD-RNDFP-0-600-0-G-MS-0000-SF-CAA-Round Firepit ASM

This drawing is copyright and remains the property of Signi Fires. It may not be retained, copied, or used without written consent.

Estimated Unit Weight	 Electrical supply by specialist unit for light fitting.	 Gas supply by specialist.		
16.0 kg	Projection 	Scale 1:10	Sheet A4	Creation Date 2025/12/01

Complete Unit:
 Gas Round Firepit - 900mm
 Gas Firepit Burner - 800mm



900 Gas Round Firepit

MOD-RNDFP-0-900-0-G-MS-0000-SF-CAA-Round Firepit ASM

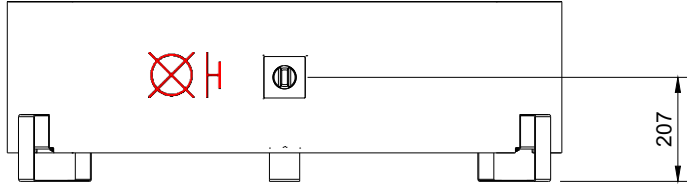
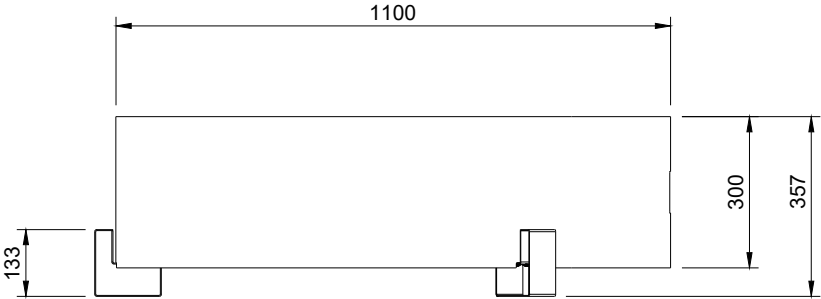
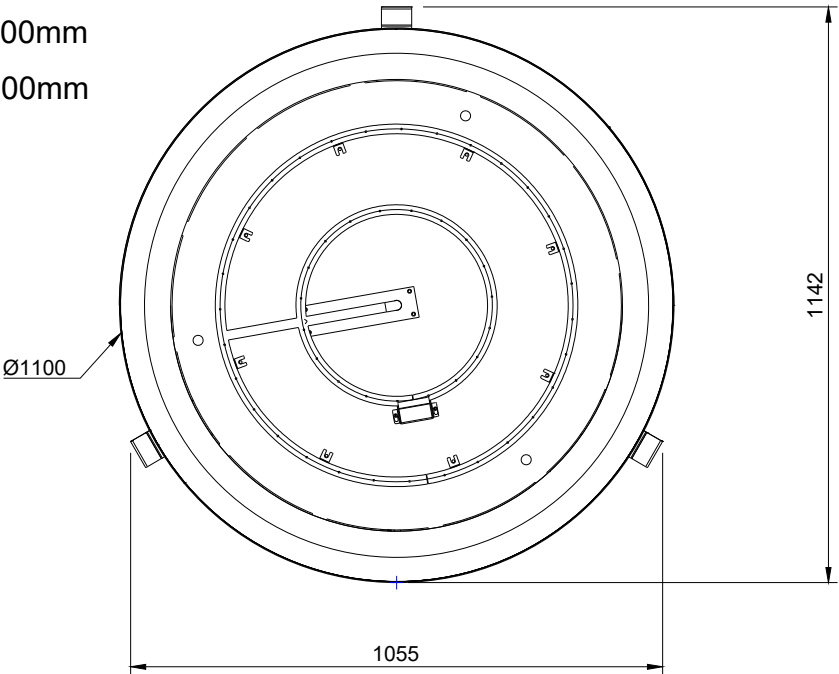
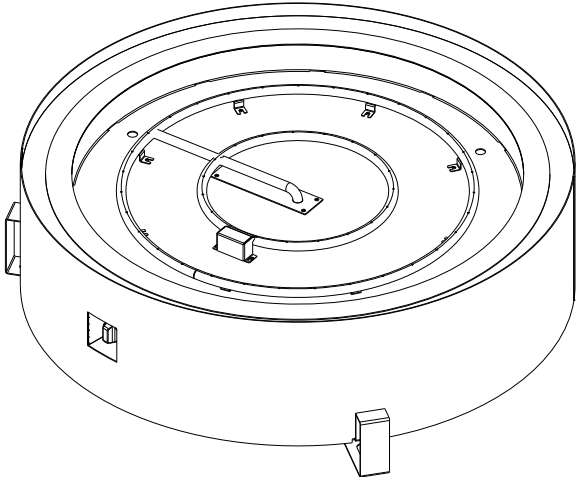
This drawing is copyright and remains the property of Signi Fires. It may not be retained, copied, or used without written consent.

Estimated Unit Weight	Electrical supply by specialist unit for light fitting.	Gas supply by specialist.		
34.2 kg	Projection 	Scale 1:15	Sheet A4	Creation Date 2025/12/01

Complete Unit:

Gas Round Firepit - 1100mm

Gas Firepit Burner - 1000mm



1100 Gas Round Firepit

MOD-RNDFP-0-1100-0-G-MS-0000-SF-CAA-Round Firepit ASM

This drawing is copyright and remains the property of Signi Fires. It may not be retained, copied, or used without written consent.

Estimated Unit Weight	Electrical supply by specialist unit for light fitting.	Gas supply by specialist.		
28.6 kg	Projection	Scale 1:15	Sheet A4	Creation Date 2025/12/01