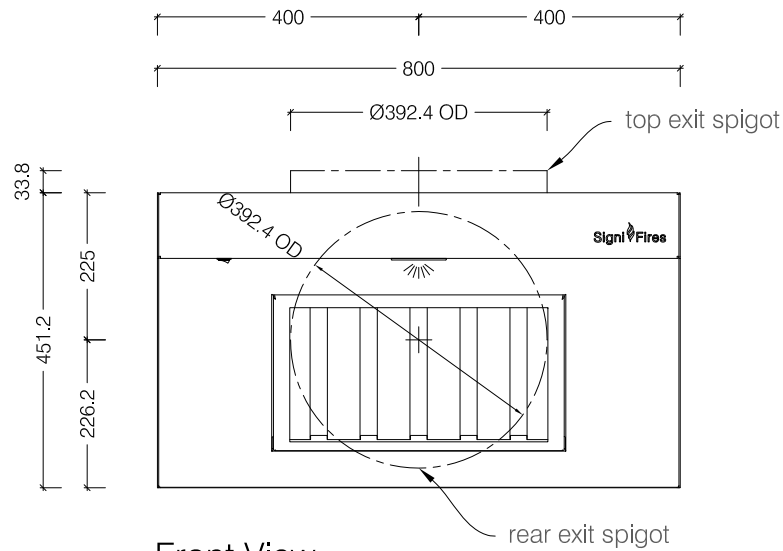
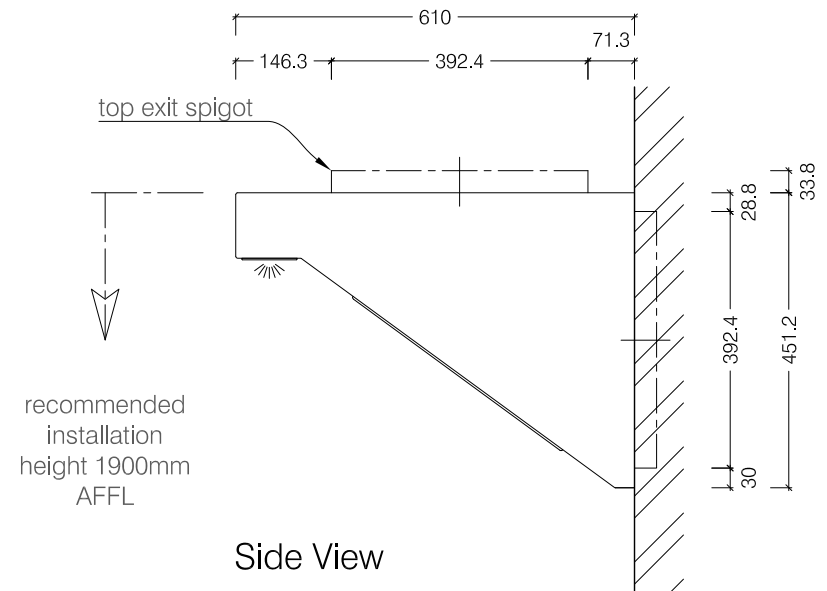


Top View



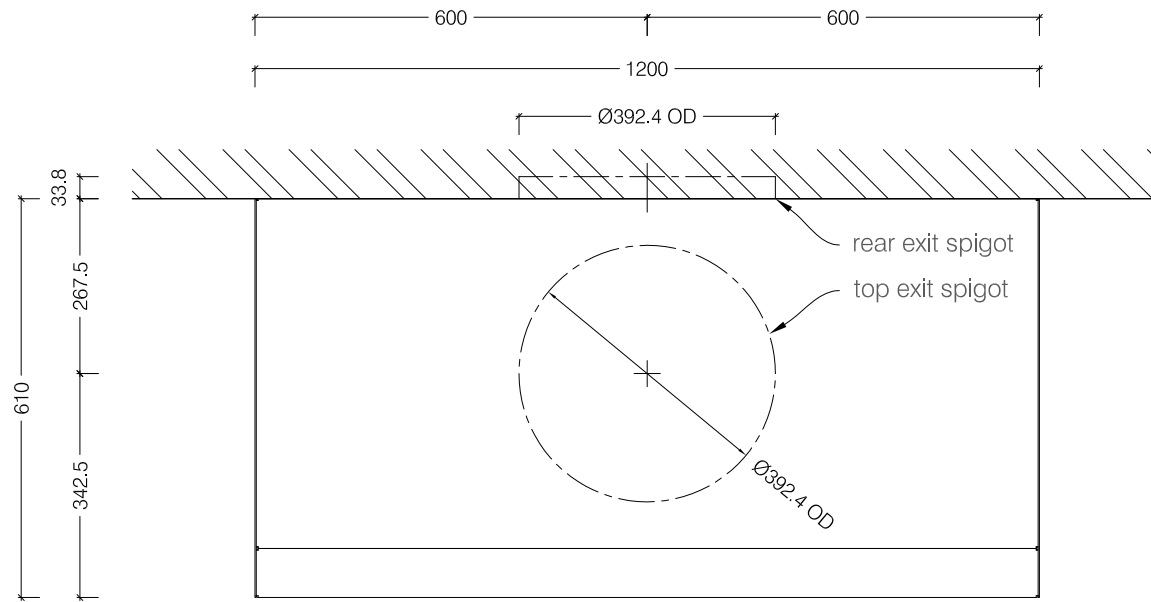
Front View



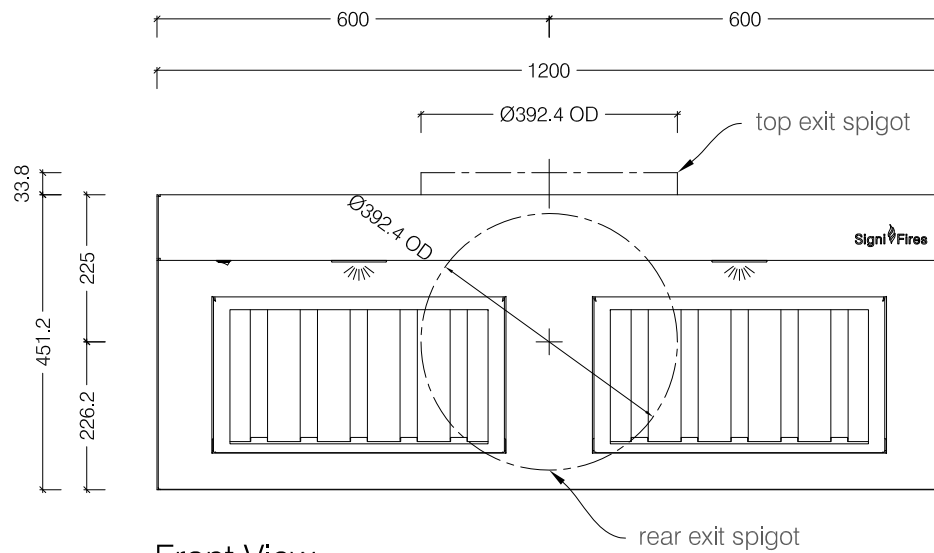
Side View

This product is available in an option of either a rear exit flue pipe or a top exit flue pipe.

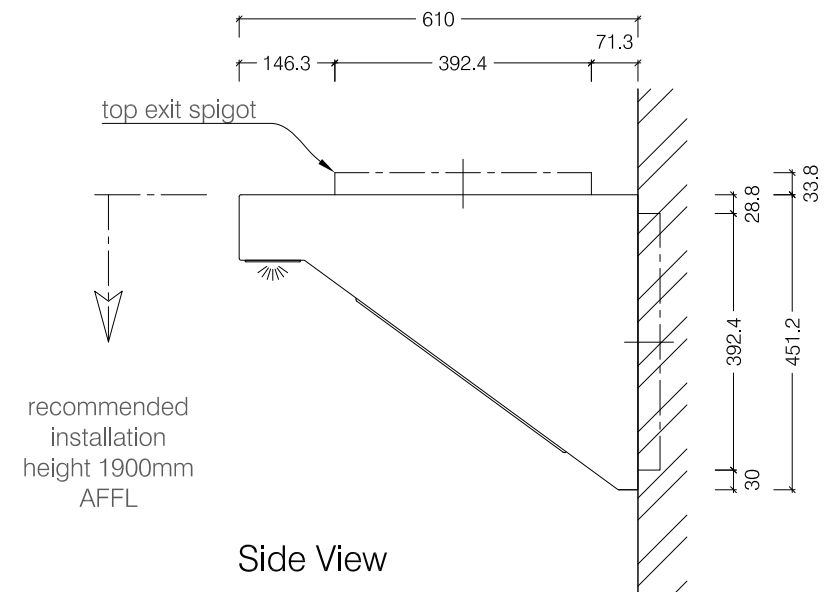
800 Extractor Angled



Top View



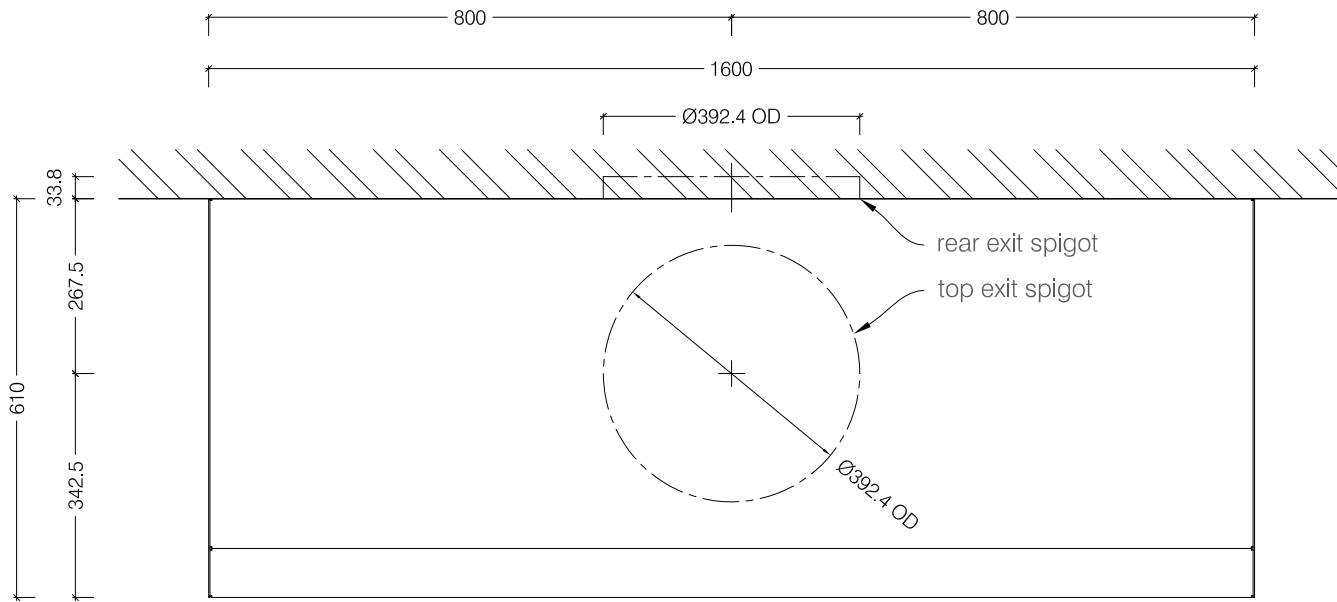
Front View



Side View

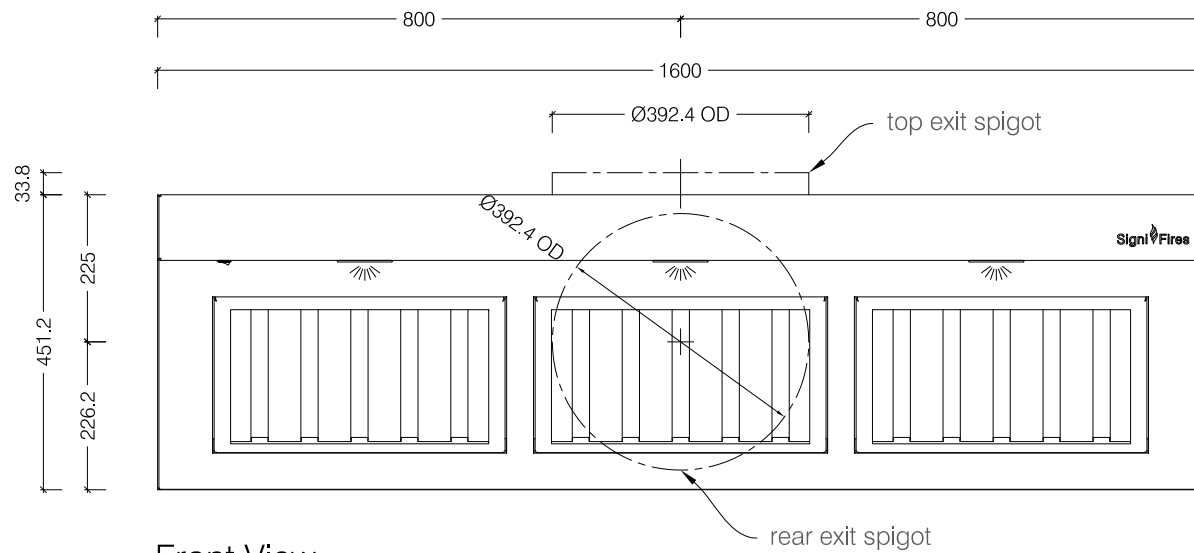
This product is available in an option of either a rear exit flue pipe or a top exit flue pipe.

1200 Extractor Angled

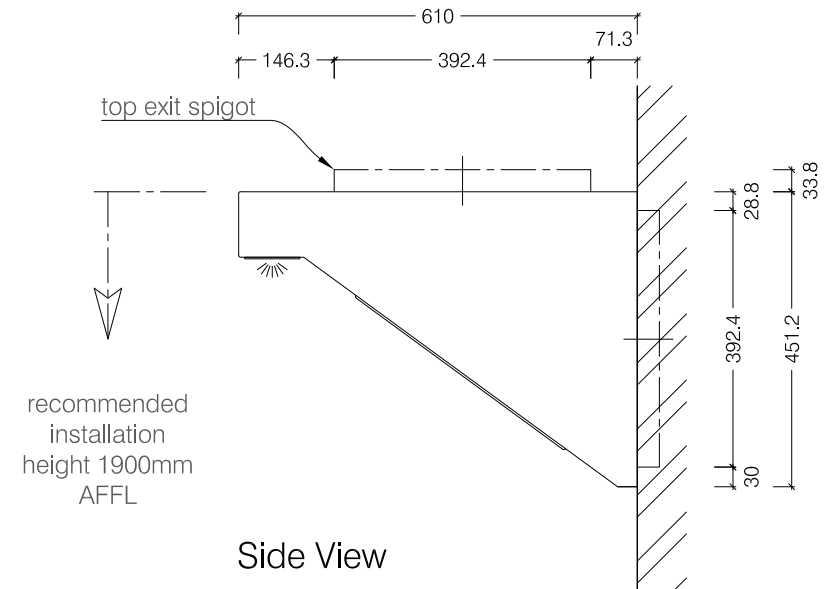


Top View

This product is available in an option of either a rear exit flue pipe or a top exit flue pipe.

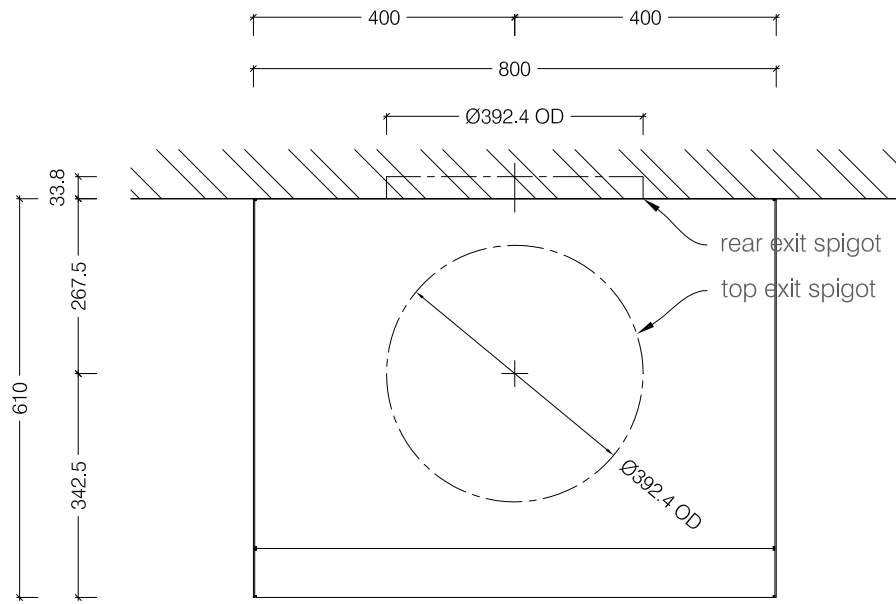


Front View



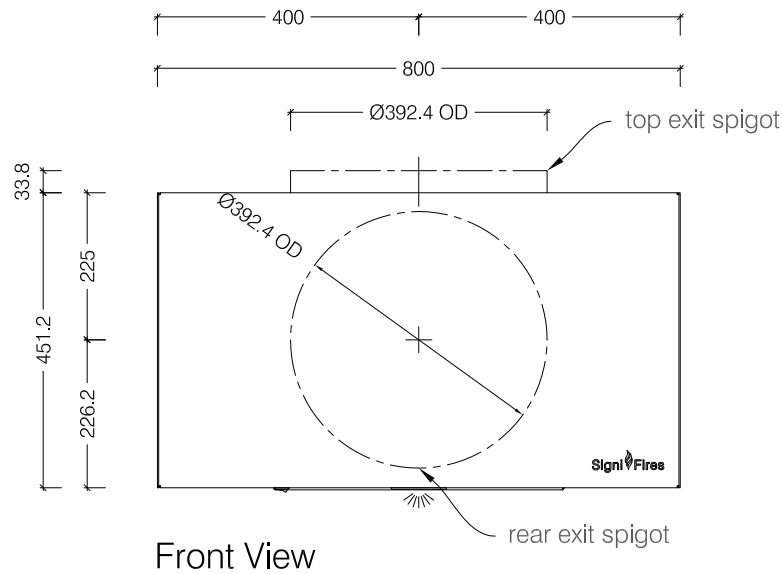
Side View

1600 Extractor Angled

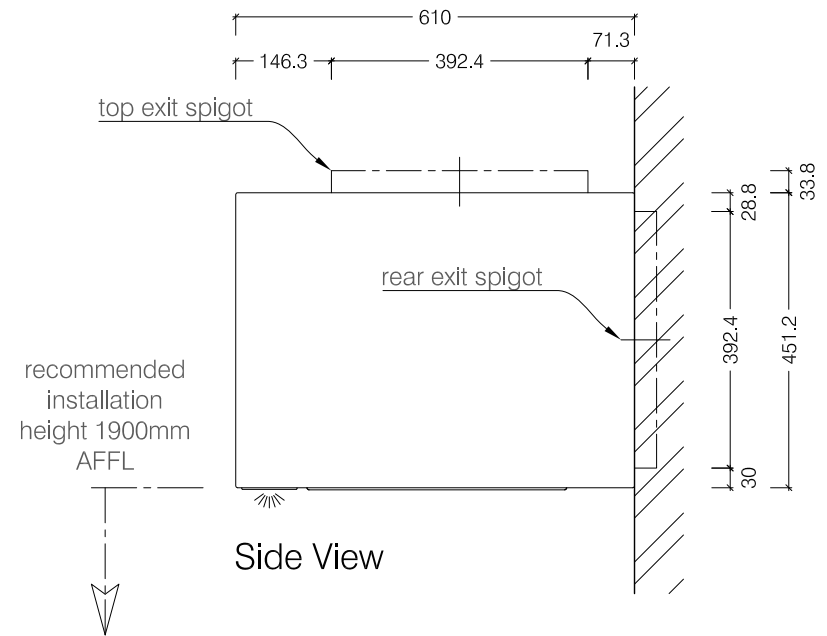


Top View

This product is available in an option of either a rear exit flue pipe or a top exit flue pipe.

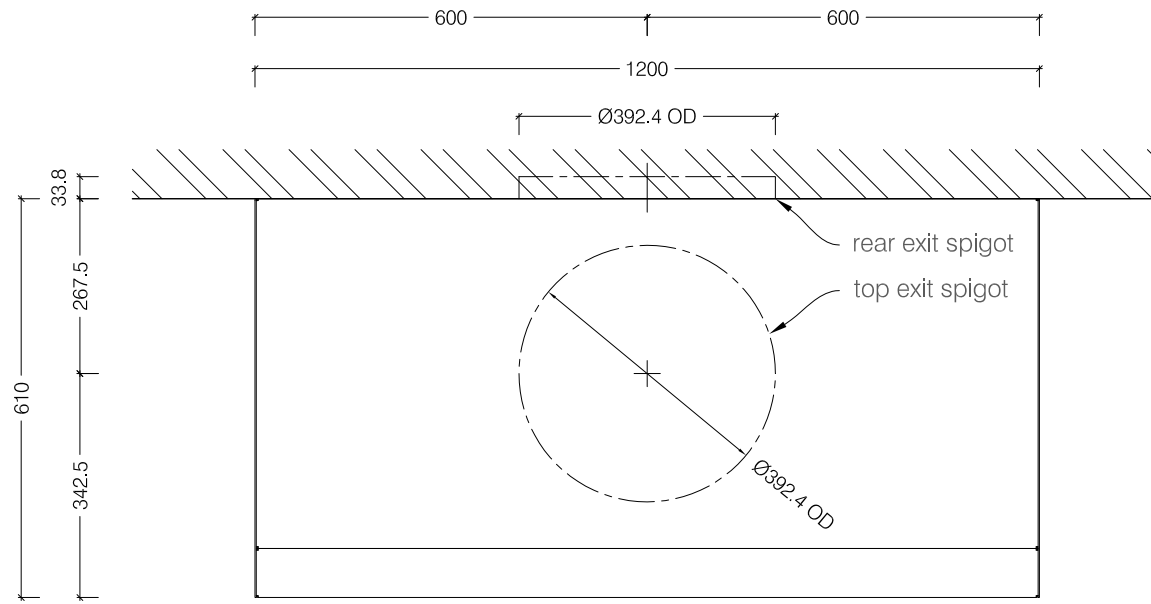


Front View



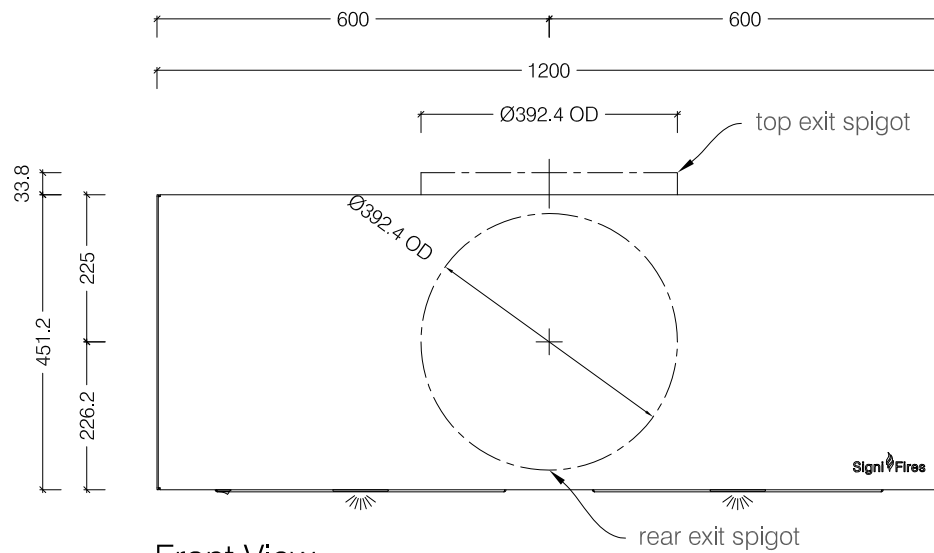
Side View

800 Extractor Square

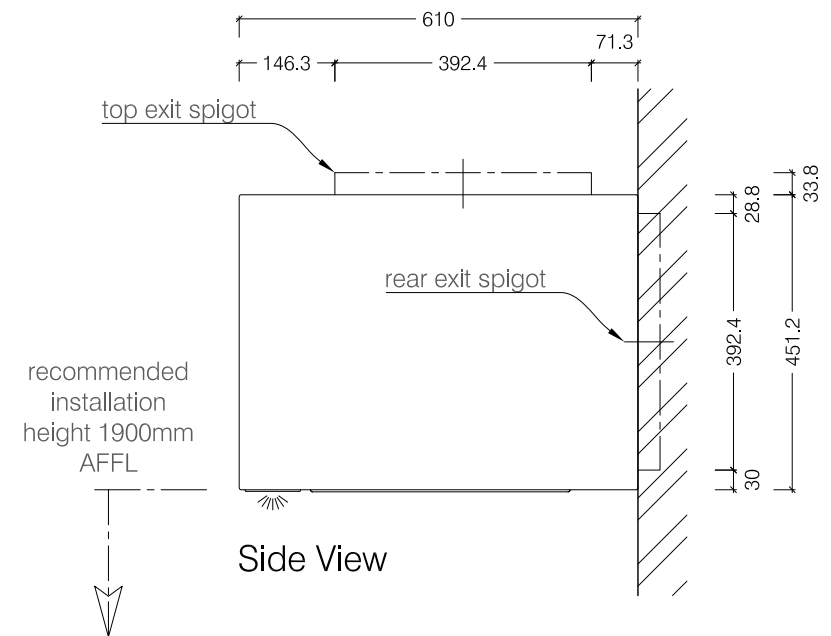


Top View

This product is available in an option of either a rear exit flue pipe or a top exit flue pipe.

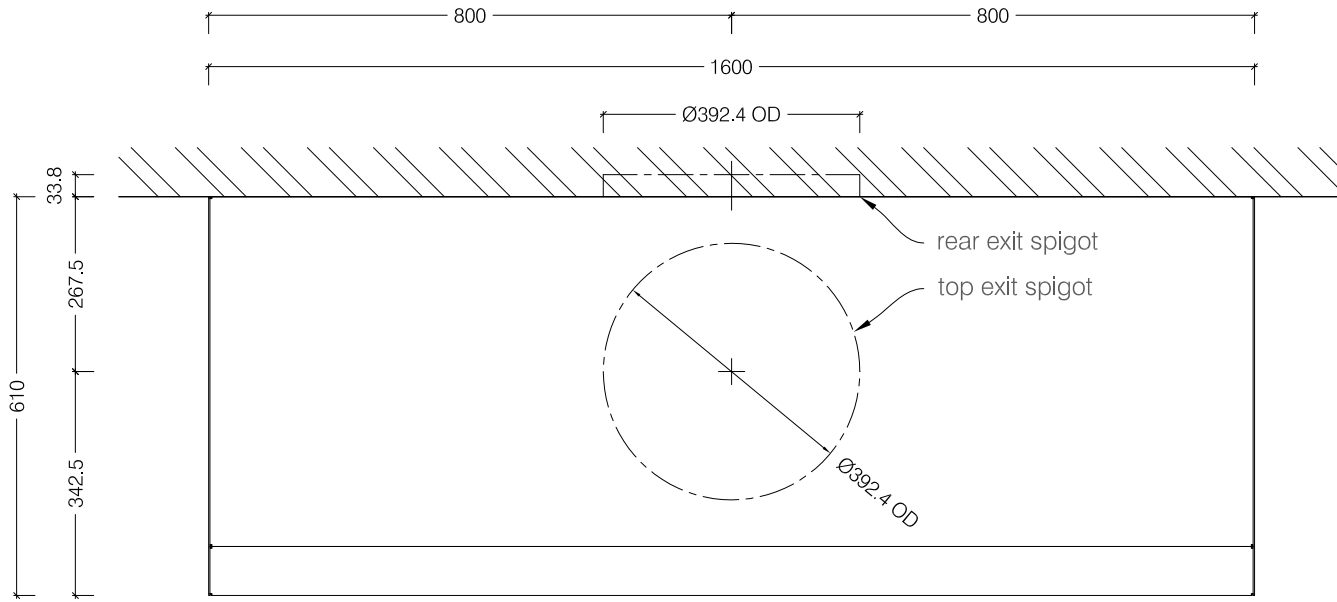


Front View



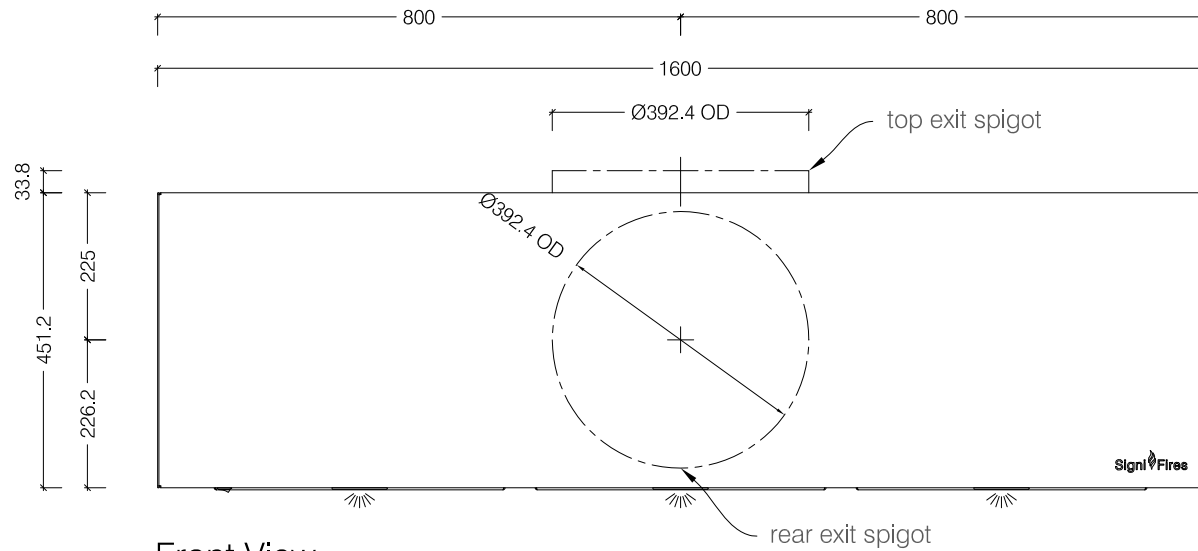
Side View

1200 Extractor Square

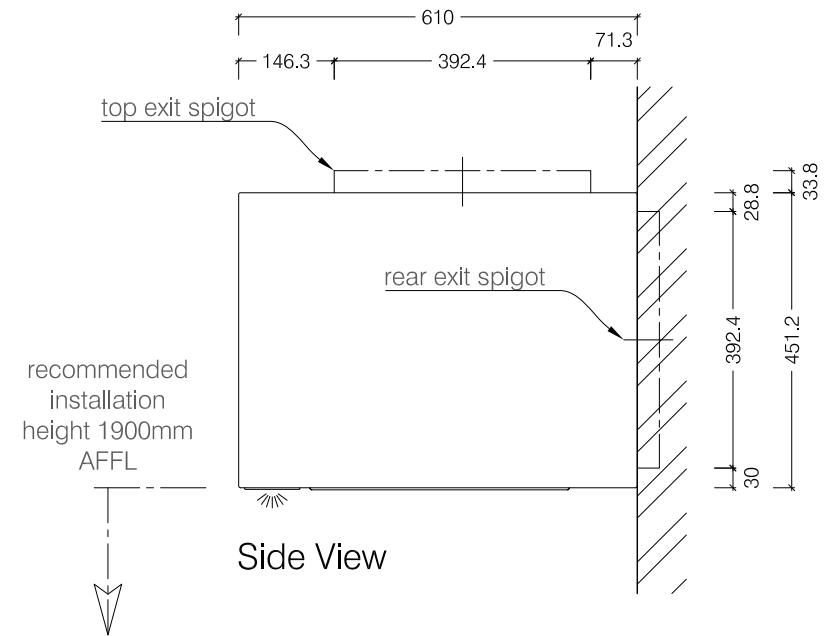


Top View

This product is available in an option of either a rear exit flue pipe or a top exit flue pipe.



Front View

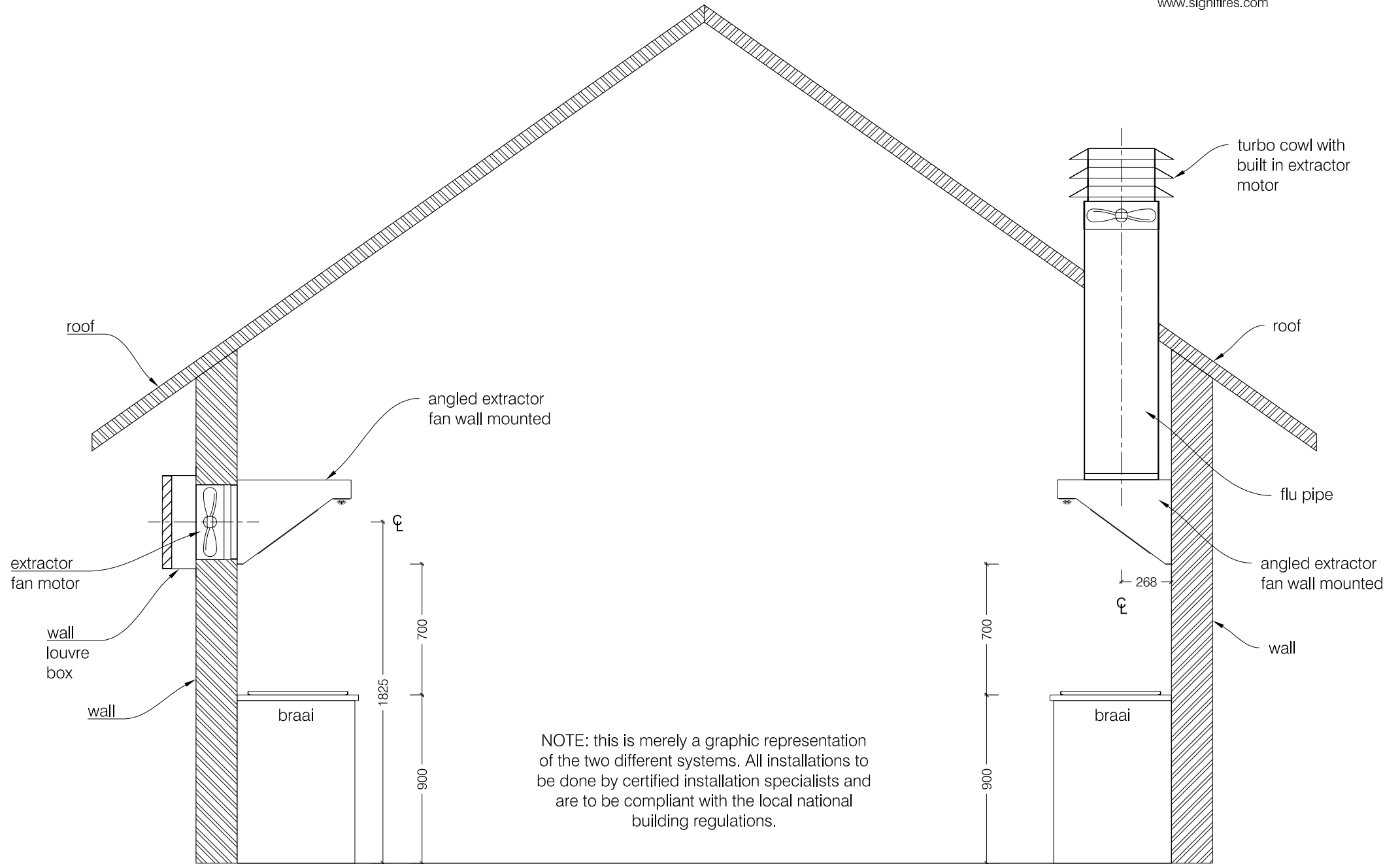


Side View

1600 Extractor Square

Typical Extractor Fan Installation

© This drawing is copyright and remains the property of Signi Fires. It may not be retained, copied or used without written consent.



Rear Extraction

Top Extraction