



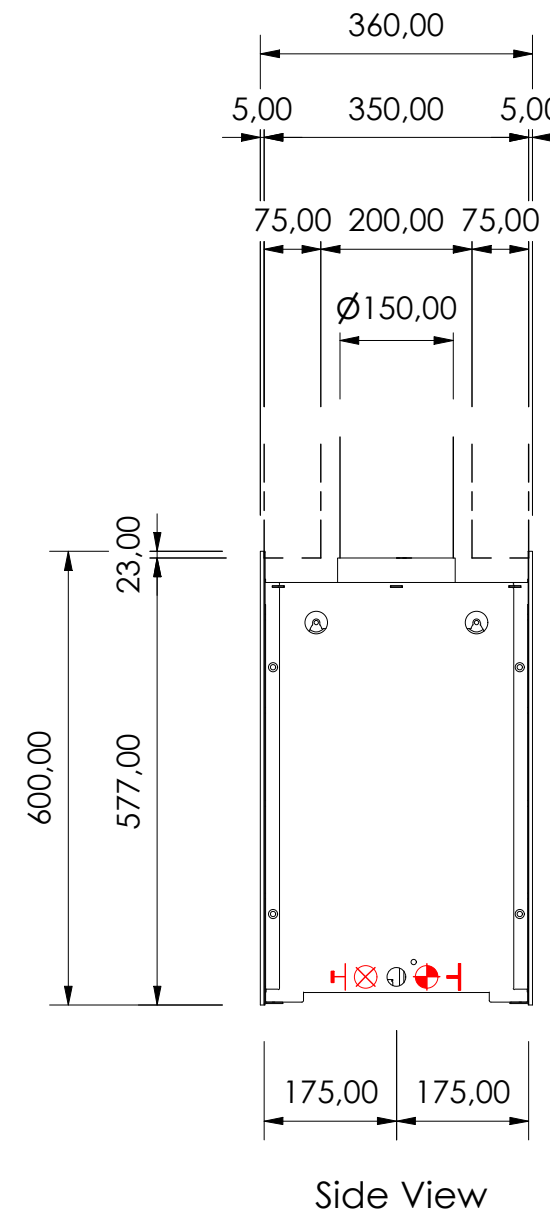
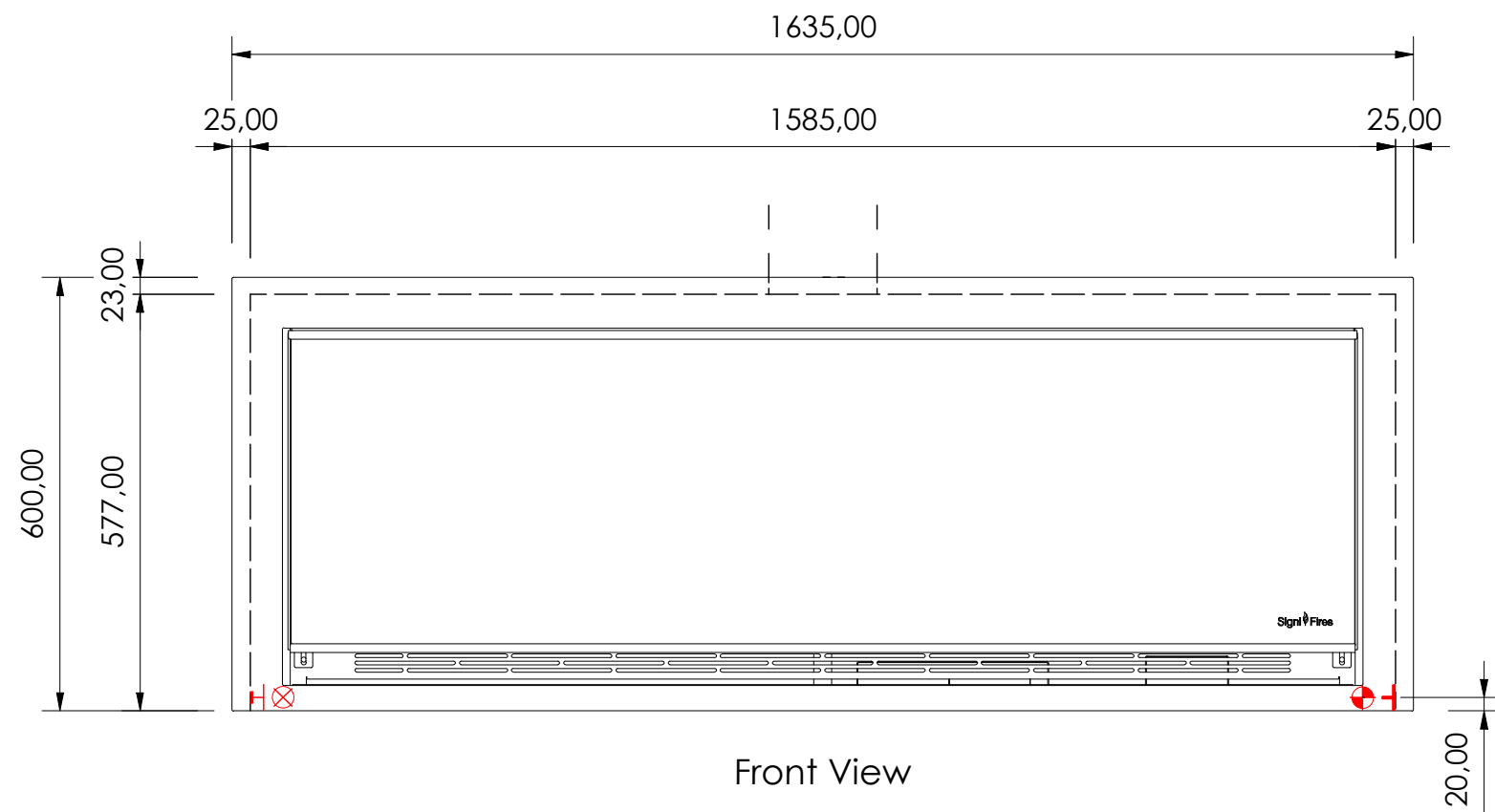
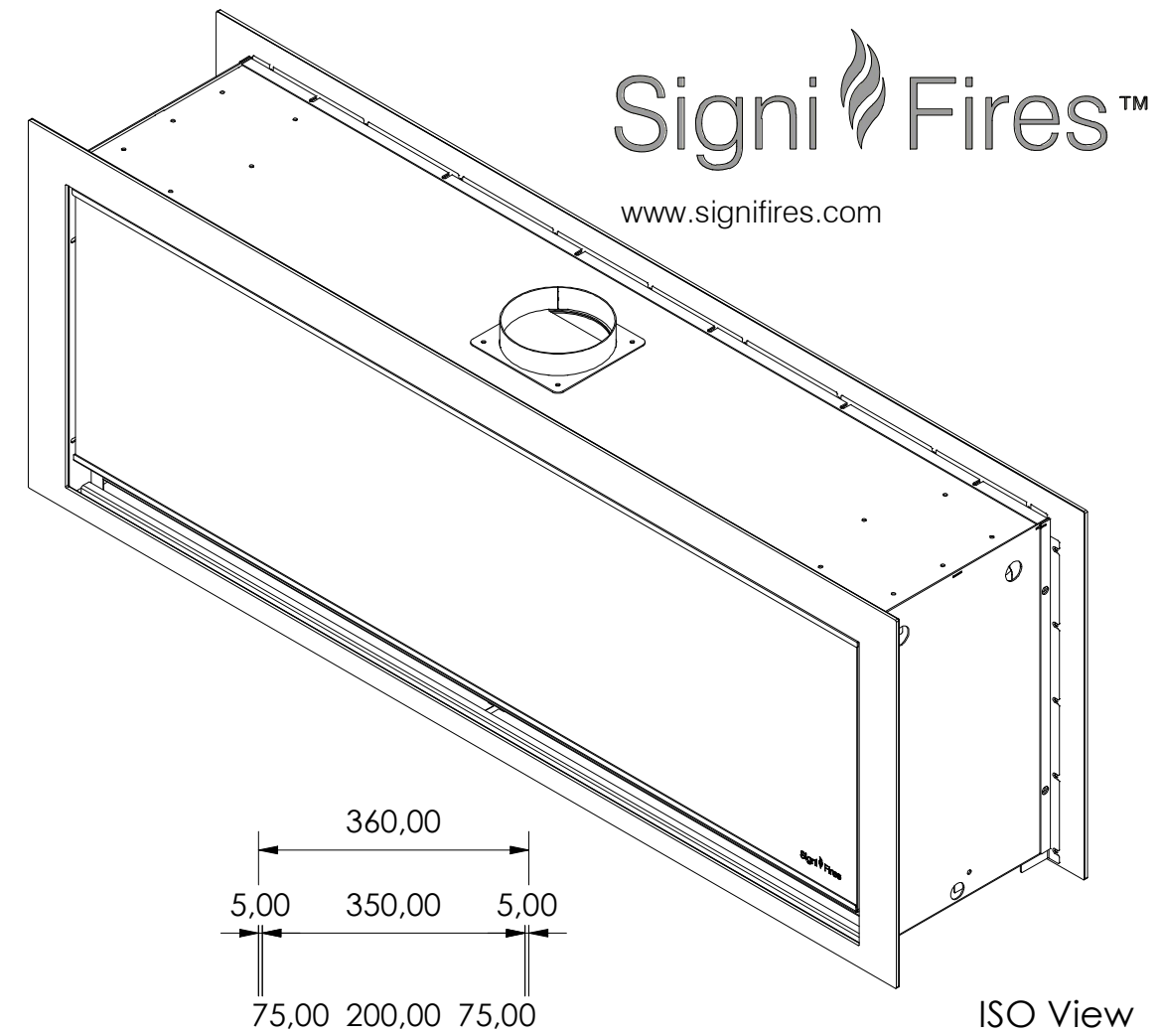
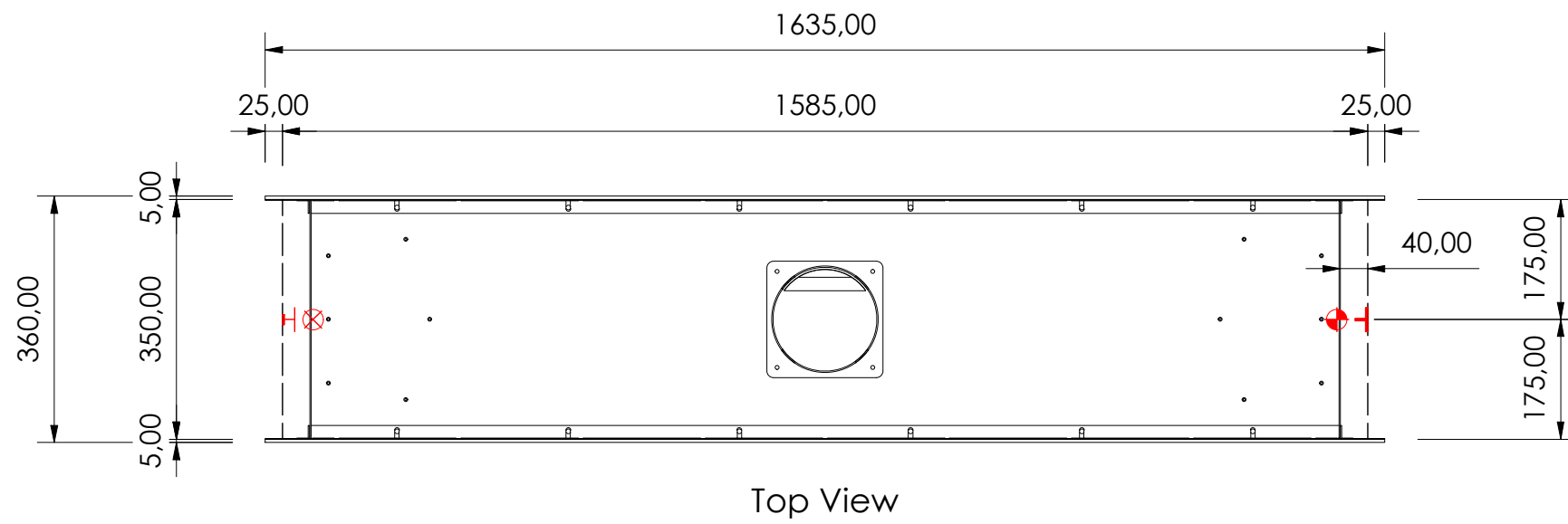




-   Electrical supply by specialist into left or right side of unit for ignitor
-   Gas supply by specialist into back of unit for line burner

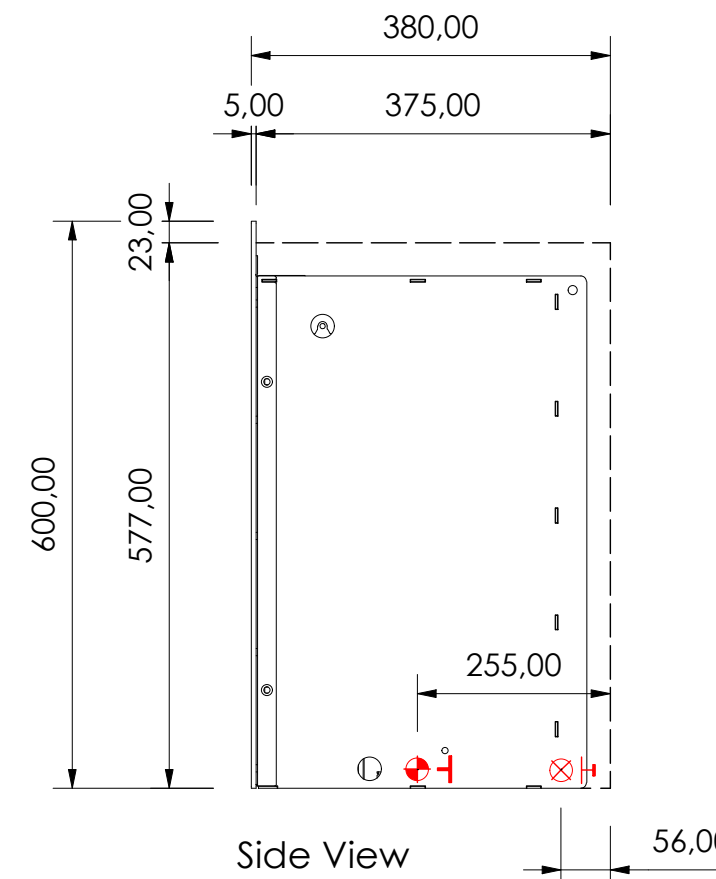
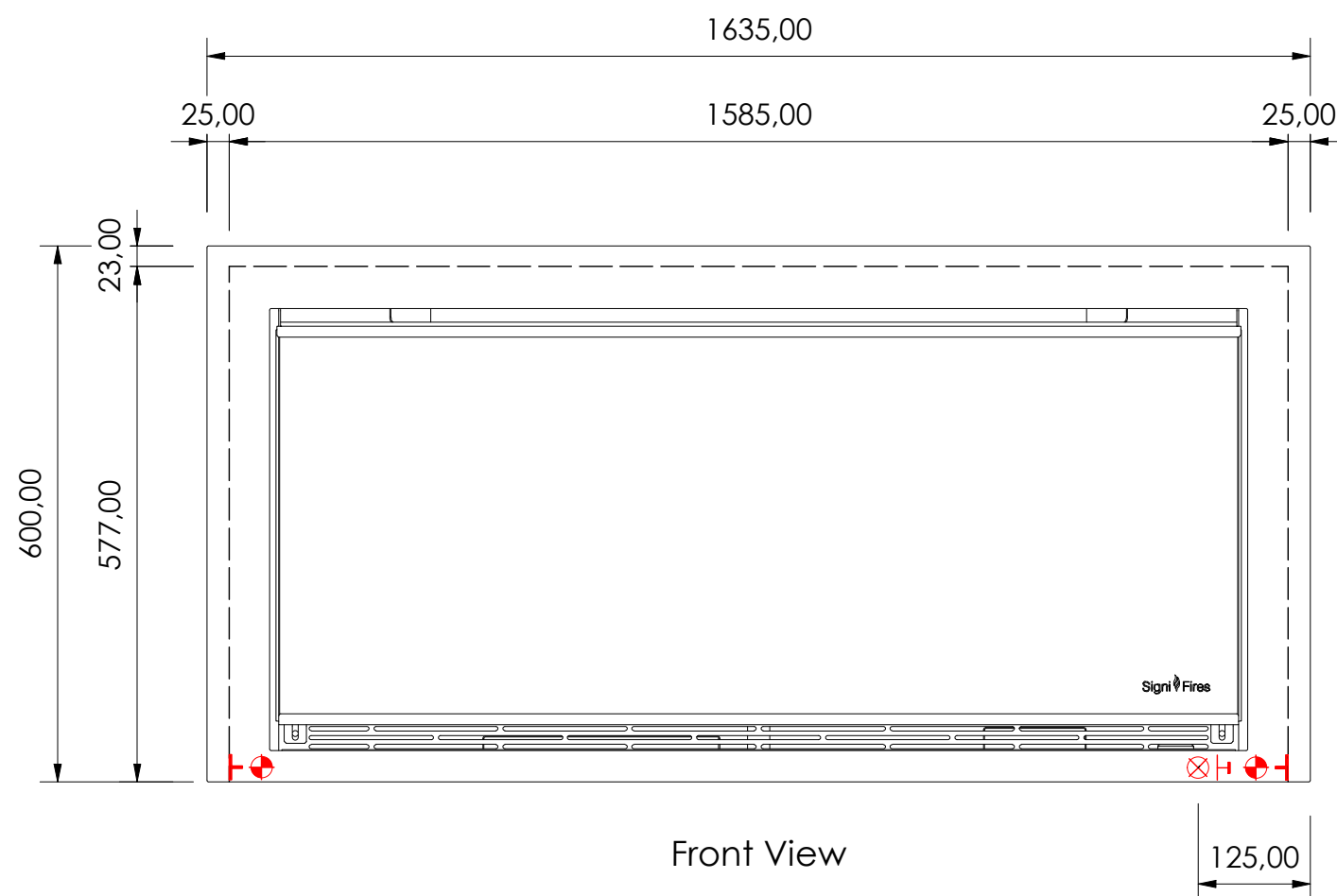
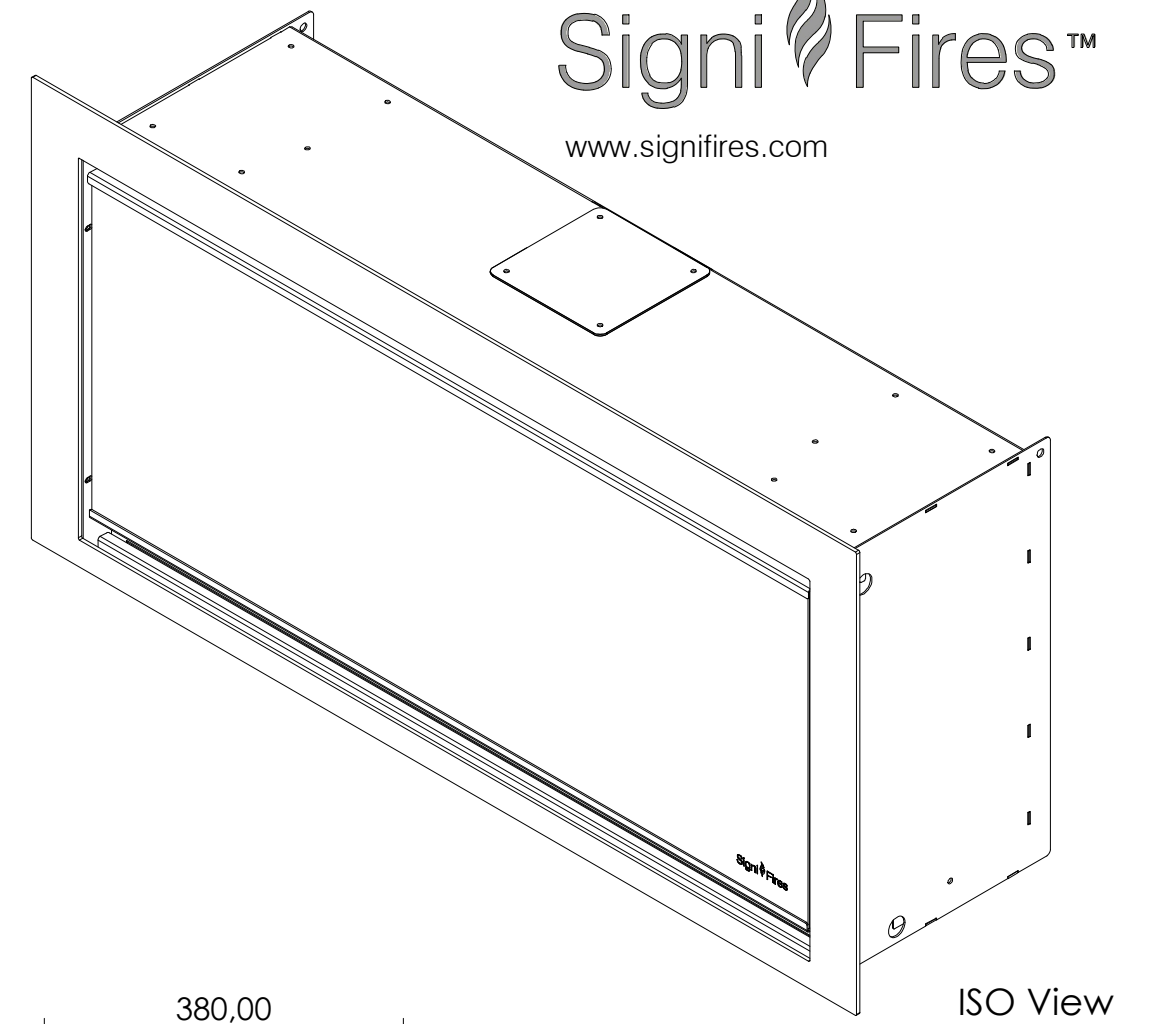
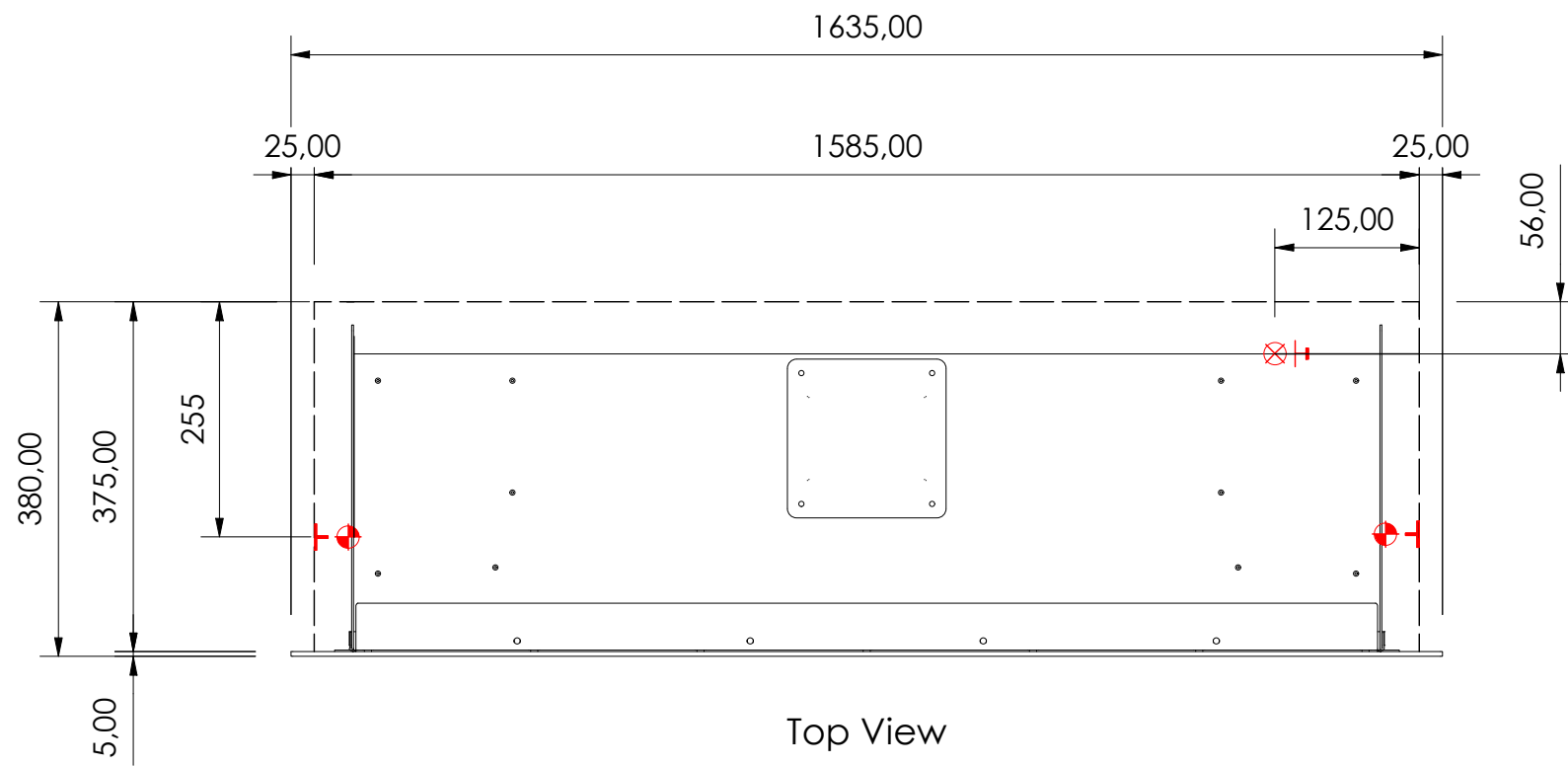
TSS_Element 160 WAF - Built In Single Sided



© This drawing is copyright and remains the property of Signi Fires. It may not be retained, copied or used without written consent.



-  Electrical supply by specialist into side of unit for ignitor
-  Gas supply by specialist into side of unit for line burner

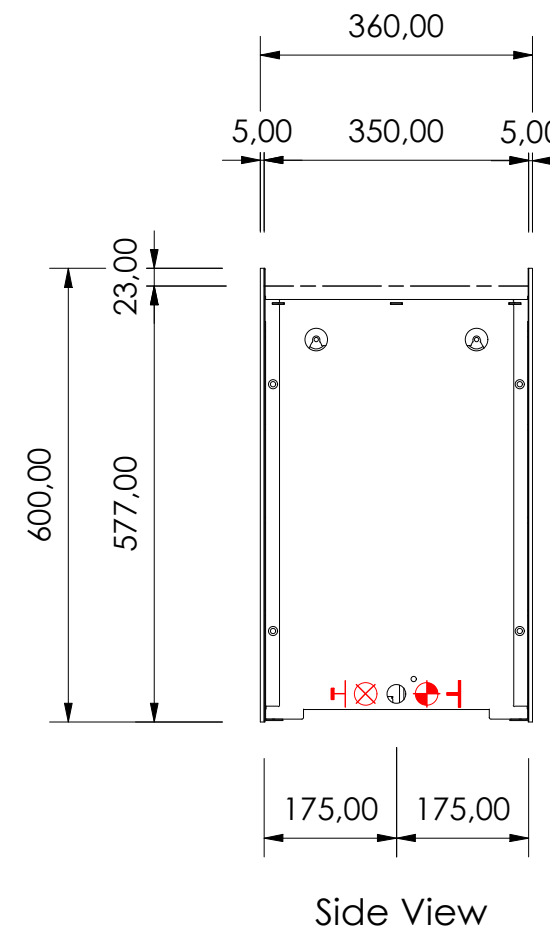
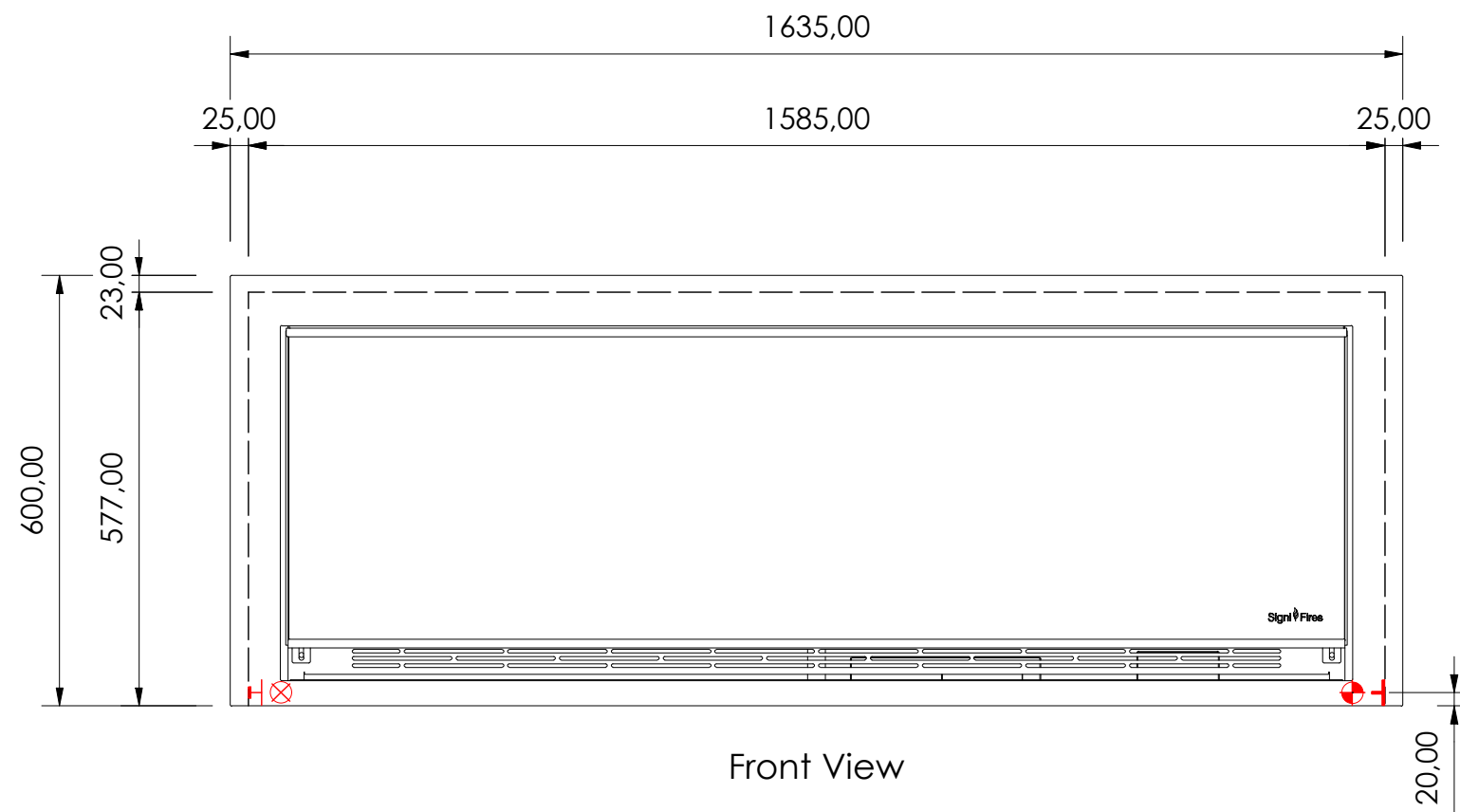
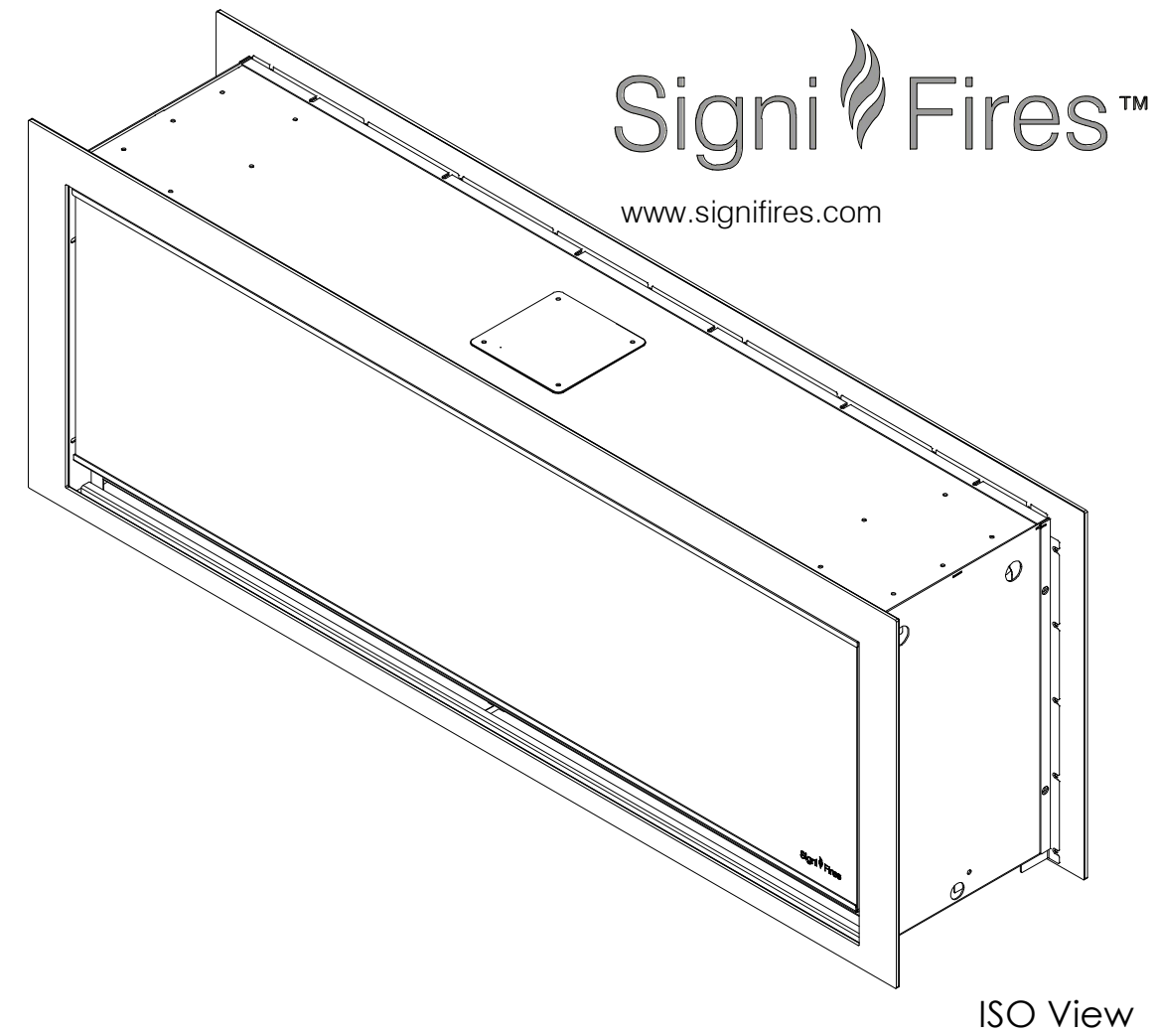
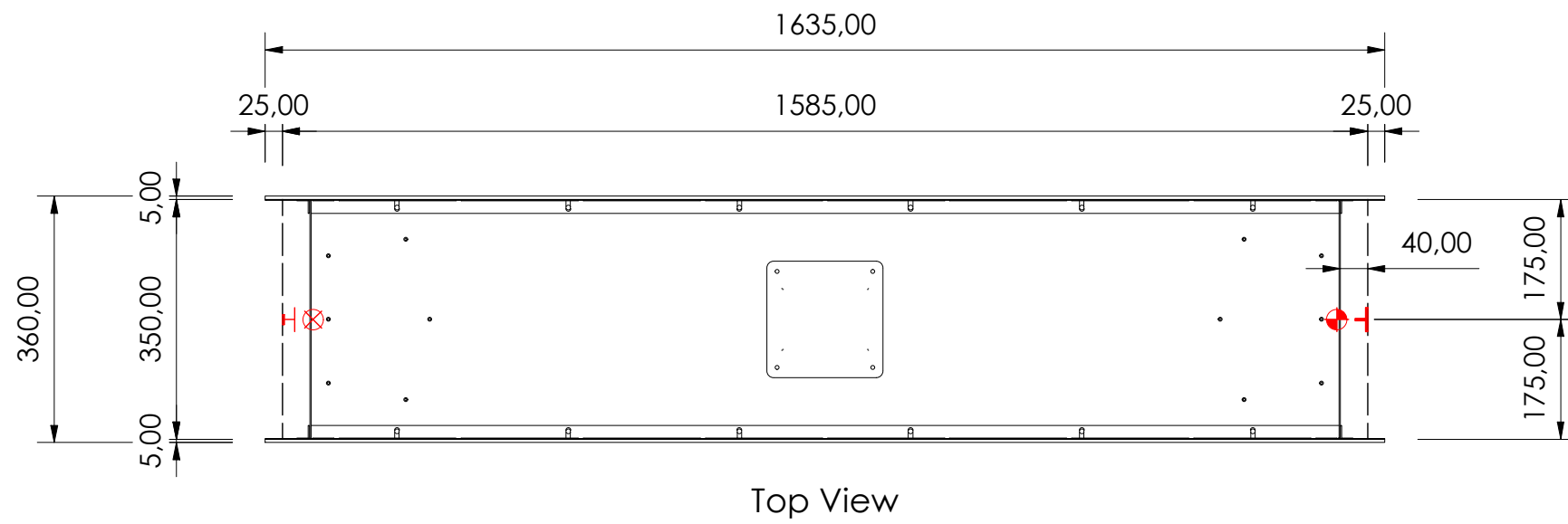
TSS_Element 160 WAF - Built In Double Sided





-  Electrical supply by specialist into left or right side of unit for ignitor
-  Gas supply by specialist into back of unit for line burner

TSS_Element 160 FL - Built In Single Sided

© This drawing is copyright and remains the property of Signi Fires. It may not be retained, copied or used without written consent.



-  Electrical supply by specialist into side of unit for ignitor
-  Gas supply by specialist into side of unit for line burner

TSS_Element 160 FL - Built In Double Sided